

# 卡式液压缓冲铰链

## Cassette hydraulic buffering hinge

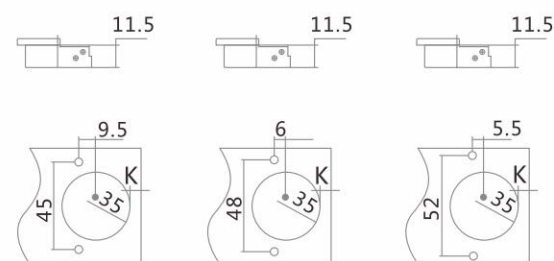
### 产品图示



### 产品描述

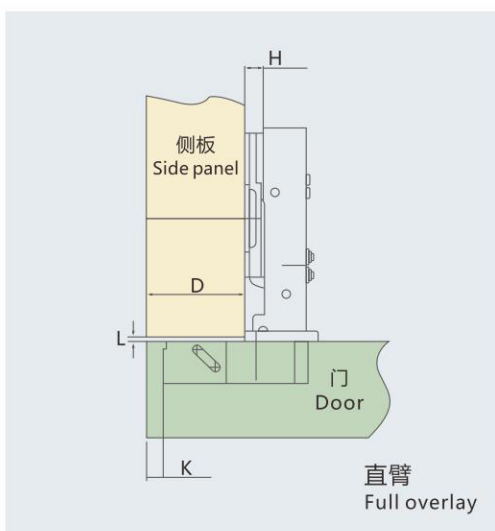
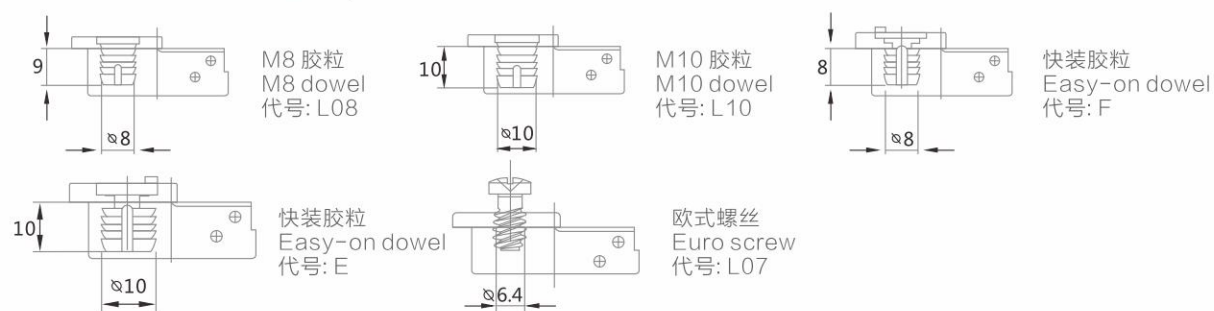
- 开启角度: 95/105度
- 铰杯厚度: 11.5毫米
- 铰杯直径: 35毫米
- 面板(K)尺寸: 3-7毫米
- 门板可用厚度: 14-22毫米
- Opening angle: 95° 105°
- Thickness of hinge cup: 11.5mm
- Diameter of hinge cup: 35mm
- Panel (K) Size: 3-7mm
- Available door thickness: 14-22mm

#### φ35mm铰杯种类 (Hing cup types)



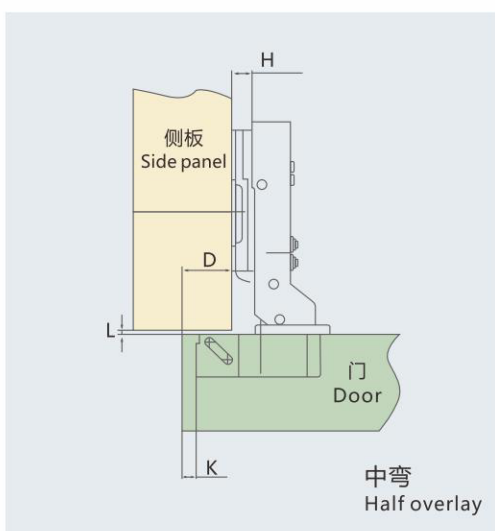
利用以下公式决定铰链的种类，解决问题时，必需有门身钻孔“K”及安装板高度“H”的数值。  
Use the following formula to determine the type of hinges, solving problems, it is necessary a door body drill hole "K" and mounting plate height value of "H".

#### φ35mm铰杯可配螺丝种类 (Options of screws and dowels)



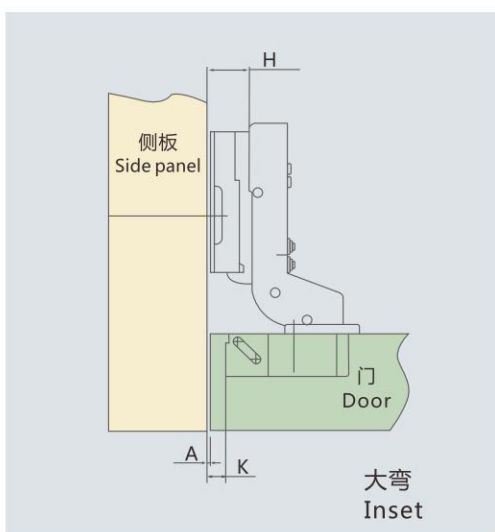
$$H = 14 + K - D$$

D \ K	3	4	5	6	7
0	17	18	19	20	21
2	15	16	17	18	19
4	13	14	15	16	17



$$H = 4 + K - D$$

D \ K	3	4	5	6	7
0	7	8	9	10	11
2	5	6	7	8	9
4	3	4	5	6	7



$$H = 4 + K + A$$

A \ K	3	4	5	6	7
0	1	0	-1	-2	-3
2	3	2	1	-1	-2
4	5	4	3	2	1