

17mm二节钢珠滑轨

17mm Single extension ball bearing slide

YA1701

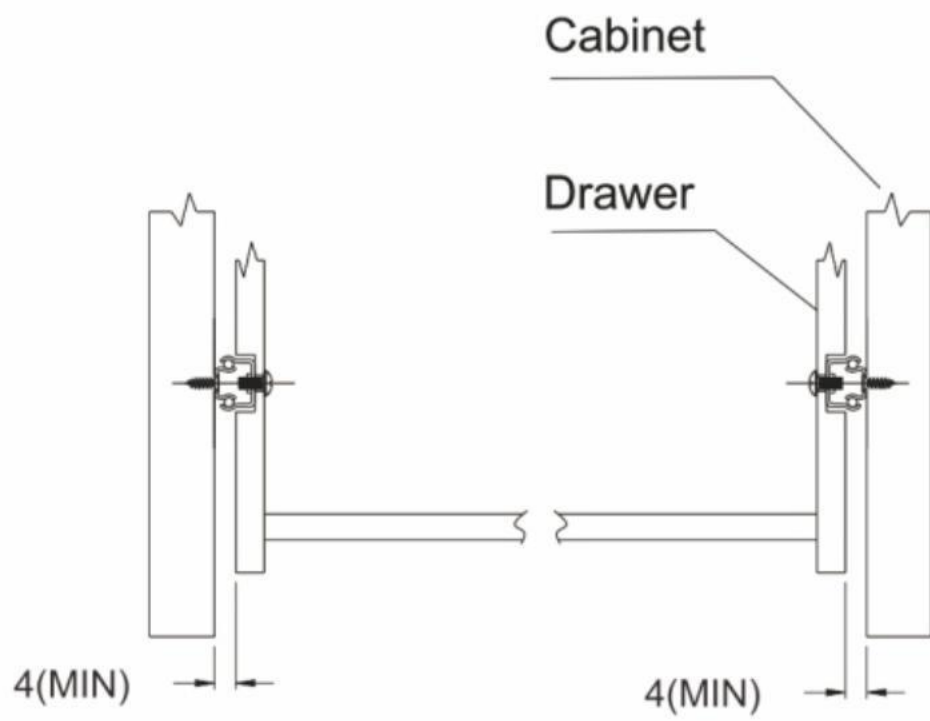


基本参数 Basic Parameter

产品材质: 冷轧板
 材料厚度: 1.0x1.0mm
 表面处理: 镀锌, 电泳黑处理
 额定负重: 10KG (374mm标准长度)
 使用寿命: 过50000次, 通过SGS疲劳测试
 尺寸范围: 150-450mm, 也可根据要求定制
 安装方式: 侧部螺丝安装
 产品特点: 配备高精度的生产线和检测仪器使产品超静音、顺滑

Product Material: Cold-rolled steel
 Material Thickness: 1.0x1.0mm
 Finish: Zinc plating, Electrophoresis black
 Load rating: 10 KGS (374mm as standard)
 Cycling: 50,000 times, pass the SGS fatigue test
 Size range: 150-450mm, customized is available
 Installation: side mounting with screws
 Product feature: Equipped with high precision production line and testing instrument products ultra-quiet, smooth

安装孔位图 Hole Pattern For Installation



产品规格 Product specifications

订货号 Item No.	A	B	C	D	塑胶珠槽 Ball retainer	包装单位 (套/箱) Packing Unit (set/box)
17x150x150	150	150	96	102	46x12珠}	50
17x182x182	182	182	128	134	46x12珠}	50
17x214x214	214	214	160	142	72x12珠}	50
17x246x246	246	246	192	172	72x12珠}	50
17x278x278	278	278	224	204	72x12珠}	50
17x310x310	310	310	256	226	82x12珠}	50
17x342x342	342	342	288	244	96x12珠}	50
17x374x374	374	374	320	276	96x12珠}	50
17x406x406	406	406	352	308	96x12珠}	50
17x438x438	438	438	384	318	118x12珠}	50
17x502x502	502	502	448	382	118x12珠}	50
17x400x400	400	400	— —	302	96x12珠}	50
17x450x450	450	450	— —	330	118x12珠}	50

滑动轨安装尺寸 Installation Dimensions

