

# 53mm宽三节缓冲重型钢珠滑轨

## 53mm Full extension soft-closing heavy duty ball bearing slide

### YA5302

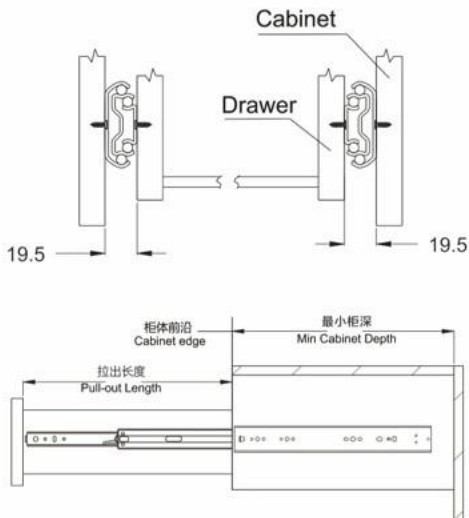


#### 基本参数 Basic Parameter

产品材质: 冷轧板  
 材料厚度: 2.0x2.0x2.0mm  
 表面处理: 镀锌, 电泳黑  
 额定负重: 80KGS (450mm标准长度)  
 使用寿命: 过50000次  
 尺寸范围: 250-1200mm, 也可根据要求定制  
 安装方式: 侧部安装, 螺丝固定  
 特殊功能: 自动缓冲闭合, 超大载重能力  
 产品特点: 配备高精度的生产线和检测仪器使产品超静音、顺滑

Product Material: Cold-rolled steel  
 Material Thickness: 2.0x2.0x2.0mm  
 Finish: Zinc plating, Electrophoresis black  
 Load rating: 80KGS (450mm as standard)  
 Cycling: 50,000 times  
 Size range: 250mm - 1200mm, customized is available  
 Installation: Side mounting with screws  
 Special function: Soft-closing and super heavy load rating  
 Product feature: Equipped with high precision production line and testing instrument products ultra-quiet, smooth

#### 安装孔位图 Hole Pattern For Installation



#### 产品规格 Product specifications

订货号 Item No.	滑轨长度 Slide Length	抽屉长度 Drawer Length	最小柜深 Min Cabinet Depth	包装单位 (套/箱) Packing Unit (set/box)
YA5302-12	12"/300mm	300mm	304mm	5
YA5302-14	14"/350mm	350mm	354mm	5
YA5302-16	16"/400mm	400mm	404mm	5
YA5302-18	18"/450mm	450mm	454mm	5
YA5302-20	20"/500mm	500mm	504mm	5
YA5302-22	22"/550mm	550mm	554mm	5
YA5302-24	24"/600mm	600mm	604mm	5
YA5302-26	26"/650mm	650mm	654mm	5
YA5302-28	28"/700mm	700mm	704mm	5
YA5302-30	30"/750mm	750mm	754mm	5

#### 滑动轨安装尺寸 Installation Dimensions

