

53mm宽三节重型钢珠滑轨

53mm Full extension heavy duty ball bearing slide

YA5301

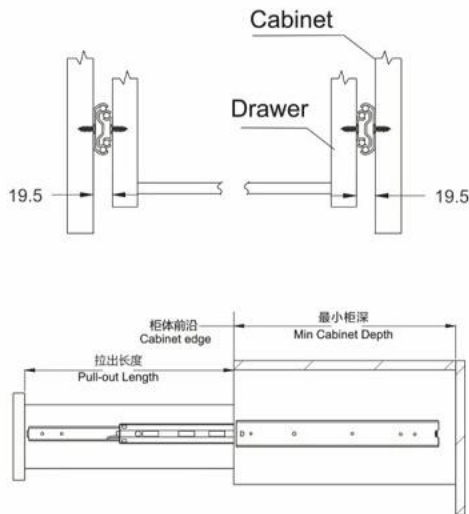


基本参数 Basic Parameter

产品材质: 冷轧板
 材料厚度: 2.0x2.0x2.0mm
 表面处理: 镀锌, 电泳黑
 额定负重: 80KGS (450mm标准长度)
 使用寿命: 过50000次
 尺寸范围: 250-1200mm, 也可根据要求定制
 安装方式: 侧部安装, 螺丝固定
 特殊功能: 超大载重能力
 产品特点: 配备高精度的生产线和检测仪器使产品超静音、顺滑

Product Material: Cold-rolled steel
 Material Thickness: 2.0x2.0x2.0mm
 Finish: Zinc plating, Electroplating black
 Load rating: 80KGS (450mm as standard)
 Cycling: 50,000 times
 Size range: 250mm - 1200mm, customized is available
 Installation: side mounting with screws
 Special function: super heavy load rating
 Product feature: Equipped with high precision production line and testing instrument products ultra-quiet, smooth

安装孔位图 Hole Pattern For Installation



产品规格 Product specifications

订货号 Item No.	滑轨长度 Slide Length	抽屉长度 Drawer Length	最小柜深 Min Cabinet Depth	包装单位 (套/箱) Packing Unit (set/box)
YA5301-10	10"/250mm	250mm	254mm	5
YA5301-12	12"/300mm	300mm	304mm	5
YA5301-14	14"/350mm	350mm	354mm	5
YA5301-16	16"/400mm	400mm	404mm	5
YA5301-18	18"/450mm	450mm	454mm	5
YA5301-20	20"/500mm	500mm	504mm	5
YA5301-22	22"/550mm	550mm	554mm	5
YA5301-24	24"/600mm	600mm	604mm	5
YA5301-26	26"/650mm	650mm	654mm	5
YA5301-28	28"/700mm	700mm	704mm	5
YA5301-30	30"/750mm	750mm	754mm	5

滑动轨安装尺寸 Installation Dimensions

