

45mm宽三节钢珠滑轨 (铁柱缓冲版)
45mm Full extension ball bearing slide with soft closing

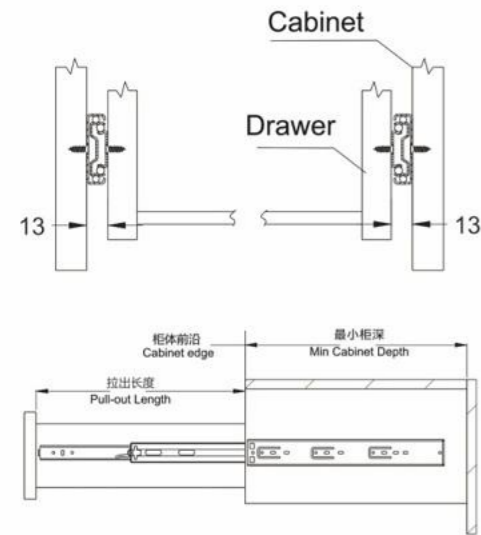


基本参数 Basic Parameter

产品材质: 冷轧板
材料厚度: 1.0x1.0x1.2mm, 1.2x1.2x1.5mm (可选)
表面处理: 镀锌, 电泳黑
额定负重: 30-45KGS (450mm标准长度)
使用寿命: 过50000次, 通过SGS疲劳测试
尺寸范围: 300-700mm, 也可根据要求定制
安装方式: 侧部安装
产品特点: 配备高精度的生产线和检测仪器使产品超静音、顺滑

Product Material: Cold-rolled steel
Material Thickness: 1.0x1.0x1.2mm, 1.2x1.2x1.5mm available
Finish: Zinc plating, Electrophoresis black
Load rating: 30-45 KGS (450mm as standard)
Cycling: 50,000 times, pass the SGS fatigue test
Size range: 300mm - 700mm, customized is available
Installation: side mounting with screws
Product feature: Equipped with high precision production line and testing instrument products ultra-quiet, smooth

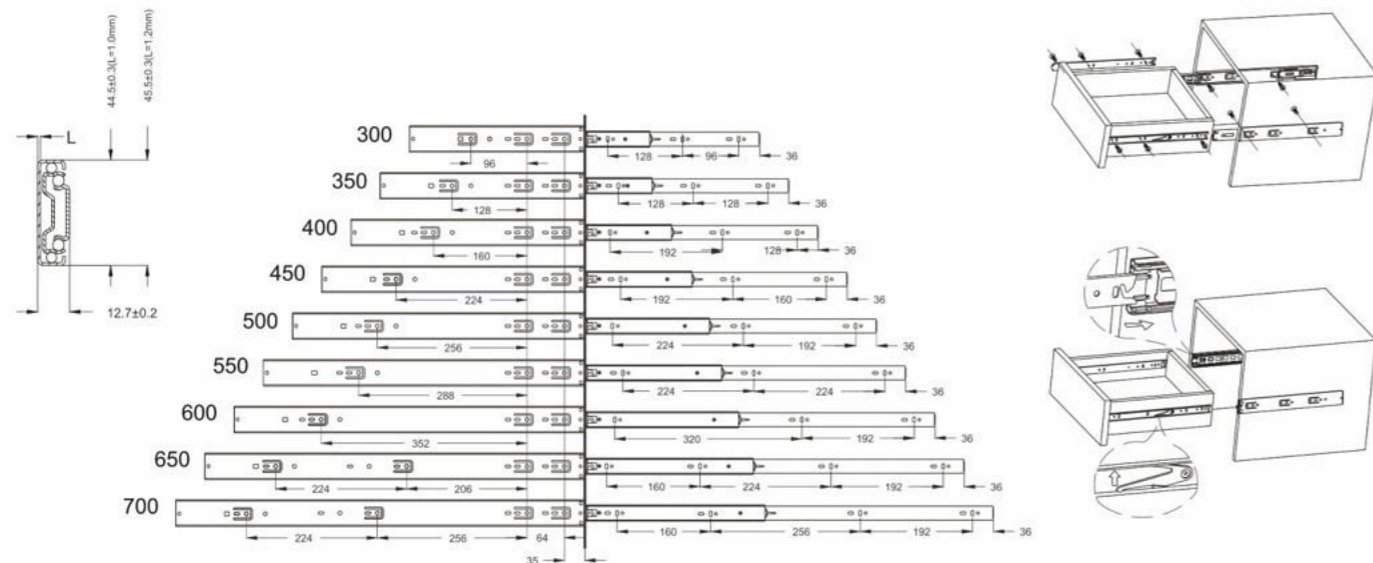
安装孔位图 Hole Pattern For Installation



产品规格 Product specifications

订货号 Item No.	滑轨长度 Slide Length	抽屉长度 Drawer Length	最小柜深 Min Cabinet Depth	包装单位 (套/箱) Packing Unit (set/box)
YA4503-12	12"/300mm	300mm	304mm	10
YA4503-14	14"/350mm	350mm	354mm	10
YA4503-16	16"/400mm	400mm	404mm	10
YA4503-18	18"/450mm	450mm	454mm	10
YA4503-20	20"/500mm	500mm	504mm	10
YA4503-22	22"/550mm	550mm	554mm	10
YA4503-24	24"/600mm	600mm	604mm	10
YA4503-26	26"/650mm	650mm	654mm	10
YA4503-28	28"/700mm	700mm	704mm	10

滑动轨安装尺寸 Installation Dimensions



45mm宽三节钢珠滑轨 (铁柱缓冲版镀黑锌)
45mm Full extension ball bearing slide with soft closing (Black zinc plated)

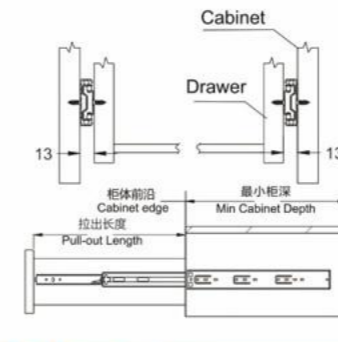


基本参数 Basic Parameter

产品材质: 冷轧板
材料厚度: 1.0x1.0x1.2mm, 1.1x1.1x1.4mm, 1.2x1.2x1.5mm (可选)
表面处理: 镀黑锌
额定负重: 30-45KGS (450mm标准长度)
使用寿命: 过50000次, 通过SGS疲劳测试
尺寸范围: 300-700mm, 也可根据要求定制
安装方式: 侧部安装
产品特点: 配备高精度的生产线和检测仪器使产品超静音、顺滑

Product Material: Cold-rolled steel
Material Thickness: 1.0x1.0x1.2mm, 1.1x1.1x1.4mm, 1.2x1.2x1.5mm available
Finish: Black zinc plated
Load rating: 30-45 KGS (450mm as standard)
Cycling: 50,000 times, pass the SGS fatigue test
Size range: 300mm - 700mm, customized is available
Installation: side mounting with screws
Product feature: Equipped with high precision production line and testing instrument products ultra-quiet, smooth

安装孔位图 Hole Pattern For Installation



产品特点 Product Feature



产品规格 Product specifications

订货号 Item No.	滑轨长度 Slide Length	抽屉长度 Drawer Length	最小柜深 Min Cabinet Depth	包装单位 (套/箱) Packing Unit (set/box)
YA4503-12	12"/300mm	300mm	304mm	10
YA4503-14	14"/350mm	350mm	354mm	10
YA4503-16	16"/400mm	400mm	404mm	10
YA4503-18	18"/450mm	450mm	454mm	10
YA4503-20	20"/500mm	500mm	504mm	10
YA4503-22	22"/550mm	550mm	554mm	10
YA4503-24	24"/600mm	600mm	604mm	10
YA4503-26	26"/650mm	650mm	654mm	10
YA4503-28	28"/700mm	700mm	704mm	10

滑动轨安装尺寸 Installation Dimensions

