

37mm宽三节卡口钢珠滑轨 (钢柜专用)

37mm Full extension ball bearing slide with hooks (exclusive used in steel cabinet)

YA3703

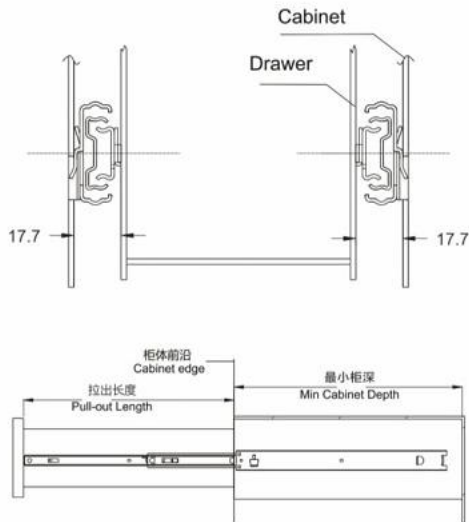


基本参数 Basic Parameter

产品材质: 冷轧板
 材料厚度: 1.2x1.0x1.2mm
 表面处理: 镀锌, 电泳黑
 额定负重: 30KGS (450mm标准长度)
 使用寿命: 过50000次, 通过SGS疲劳测试
 尺寸范围: 400mm, 也可根据要求定制
 安装方式: 侧部安装, 螺丝固定
 产品特点: 配备高精度的生产线和检测仪器使产品超静音、顺滑

Product Material: Cold-rolled steel
 Material Thickness: 1.2x1.0x1.2mm
 Finish: Zinc plating, Electroplating black
 Load rating: 30 KGS (450mm as standard)
 Cycling: 50,000 times, pass the SGS fatigue test
 Size range: 400mm, customized is available
 Installation: side mounting with screws
 Product feature: Equipped with high precision production line and testing instrument products ultra-quiet, smooth

安装孔位图 Hole Pattern For Installation



产品规格 Product specifications

订货号 Item No.	滑轨长度 Slide Length	抽屉长度 Drawer Length	最小柜深 Min Cabinet Depth	包装单位 (套/箱) Packing Unit (set/box)
YA3703-16	16"/400mm	400mm	403mm	20

滑动轨安装尺寸 Installation Dimensions

