

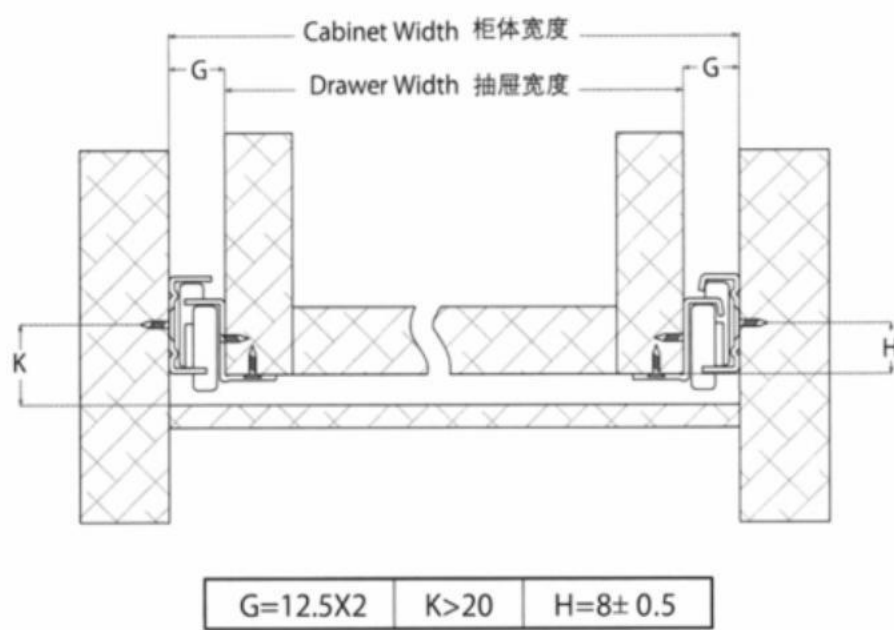
喷粉美式托底自走滑轨

American type powder spraying bottom mounting self closing slide

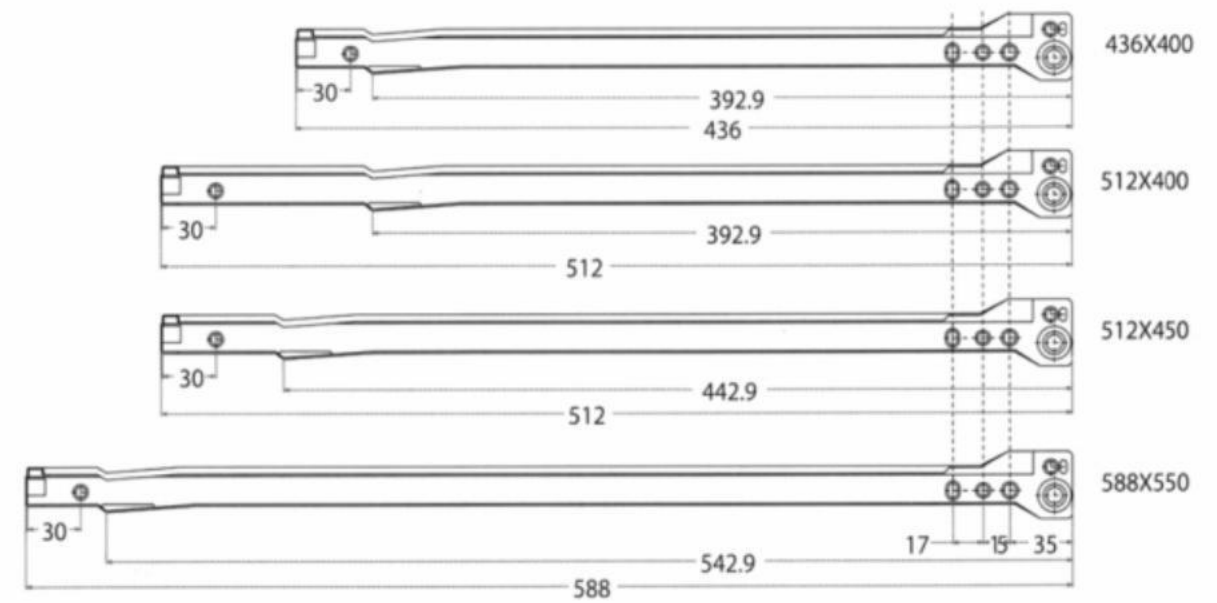
US02A



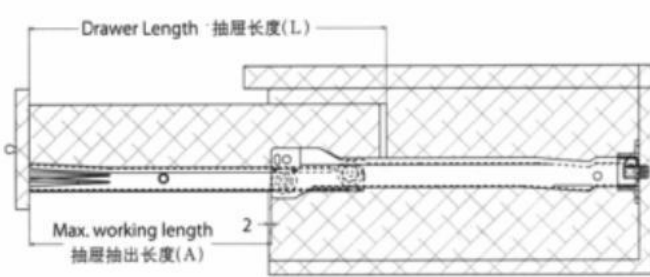
产品安装尺寸 (正向) Installation Dimension



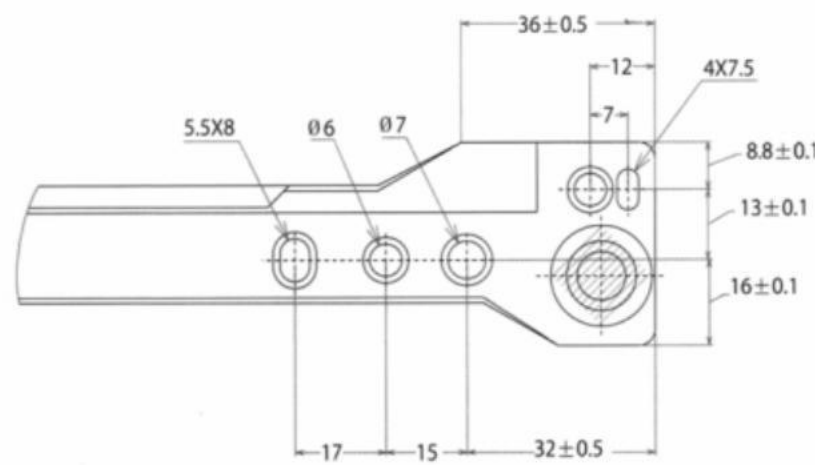
固定轨安装孔位 Fastening Position For Cabinet Member



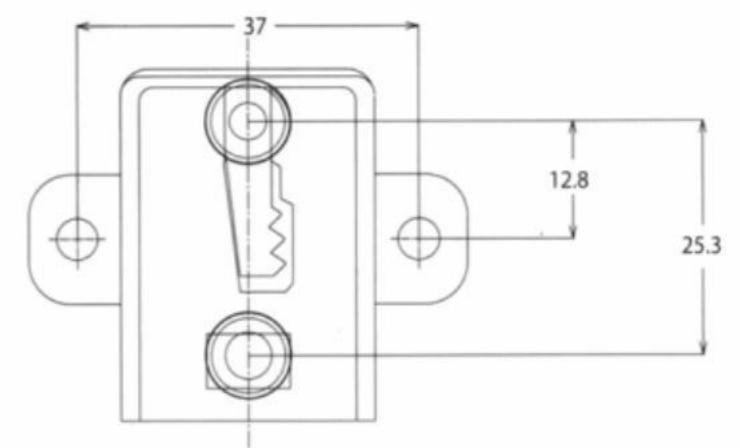
抽屉拉出停止位置 Stop Position



固定轨头部安装孔位 Drilling pattern for cabinet member



塑胶套安装孔位图 Assemble demonstration for plastic bracket



产品材质: 冷轧板
 表面处理: 喷粉
 产品颜色: 白色、黑色, 也可根据客户要求定制
 产品特点: 快速自关, 塑料尾托连接

Product Material: Cold Rolled Steel
 Finish: Powder spraying
 Color: White, Black, customized is available
 Feature: Fast self closing and connect with back connectors

抽屉长度 (L) Drawer Length	拉出长度 (A) Pull-out Length	包装单位 (套/箱) Packing Unit (Set/Box)
436x400mm	330mm	20
512x400mm	330mm	20
512x450mm	370mm	20
588x550mm	455mm	20