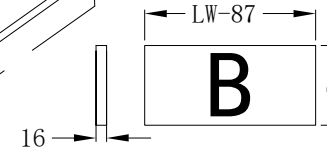
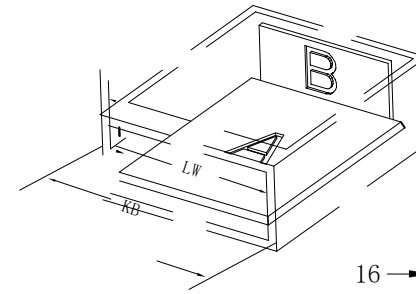
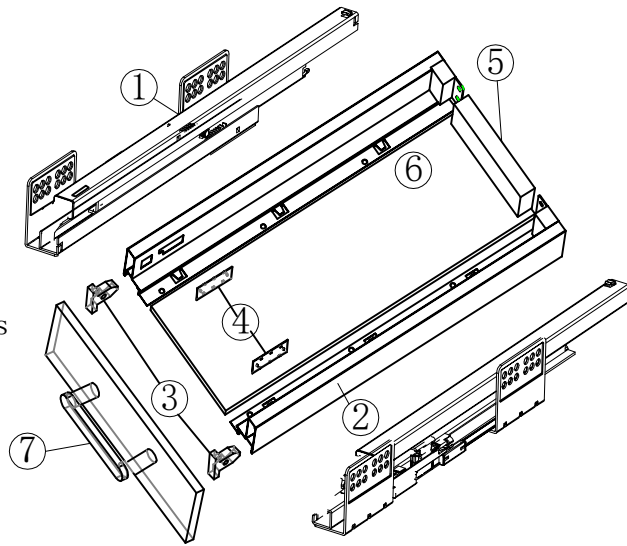
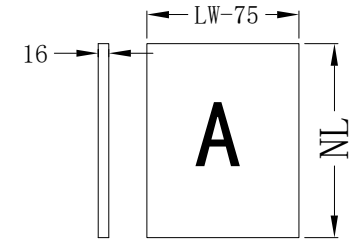


M04 SLIM BOX DRAWER

- . slide - left/right
- . metal box --left / right
- . front connectors 2pcs
- . plastic cover 2 pcs
- . back panel
- . bottom board
- . drawer front panel



Drawer back panel

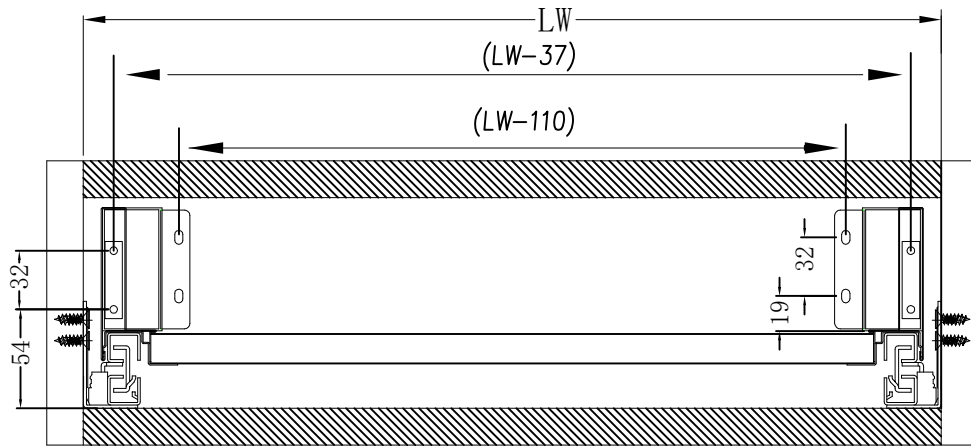


Drawer bottom board

KB cabinet width
LW cabinet internal width
NL nominal length

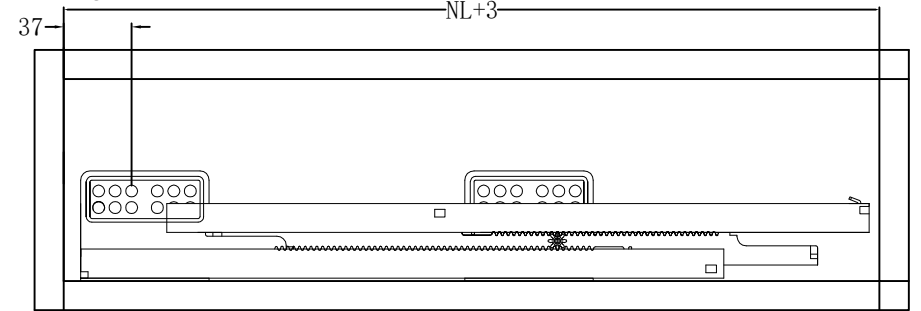
height 88MM=68MM
 height 120MM=100MM
 height 152MM=132MM
 height 184MM=164MM

L-300MM=290MM
 L-350MM=340MM
 L-400MM=390MM
 L-450MM=440MM
 L-500MM=490MM
 L-550MM=540MM



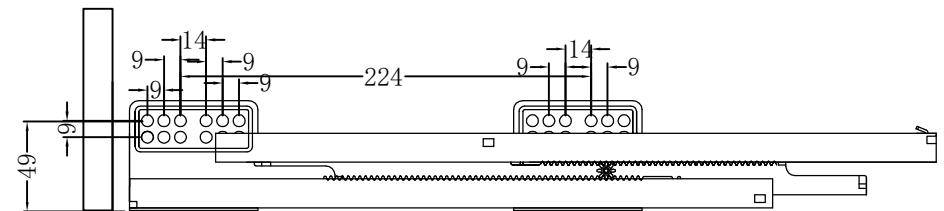
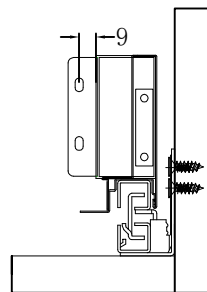
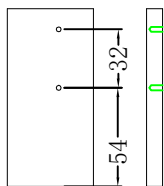
slide mounting dimensions

cabinet front edge

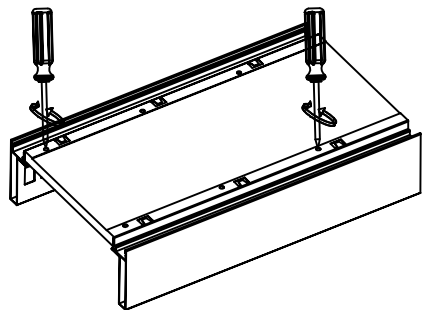


Drawer front panel

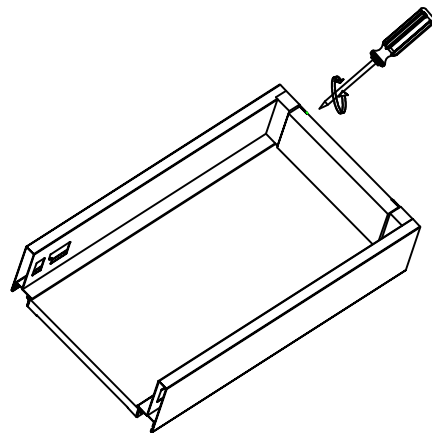
Drawer back panel



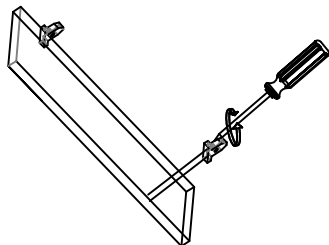
1. metal box left/right



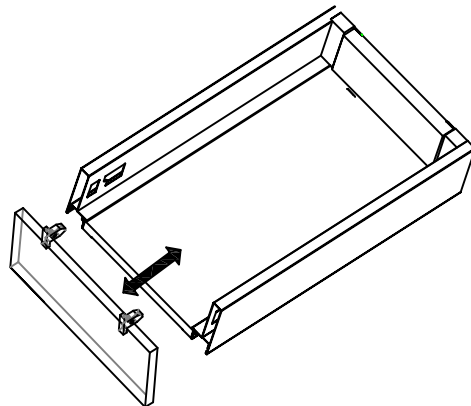
2. back panel mounting



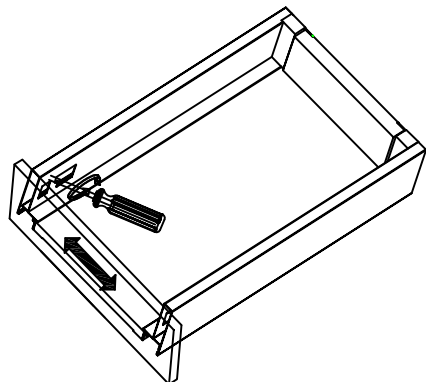
3. front connectors fixed on front panel



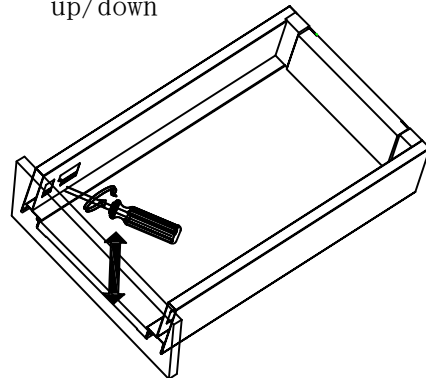
4. front panel mounting



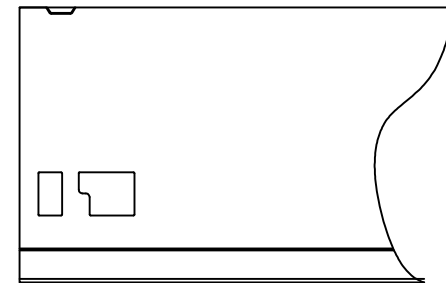
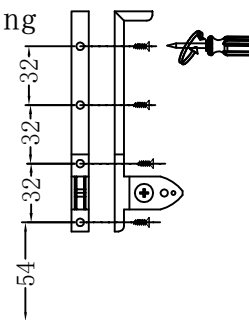
5. front panel adjusting left/right



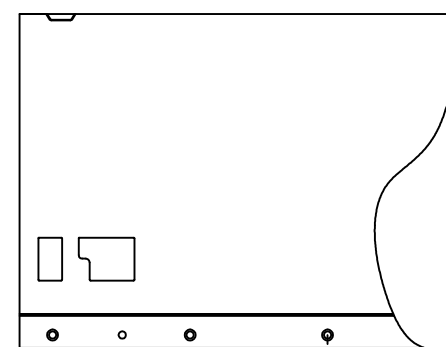
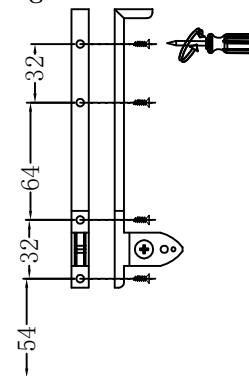
6. front panel adjusting up/down



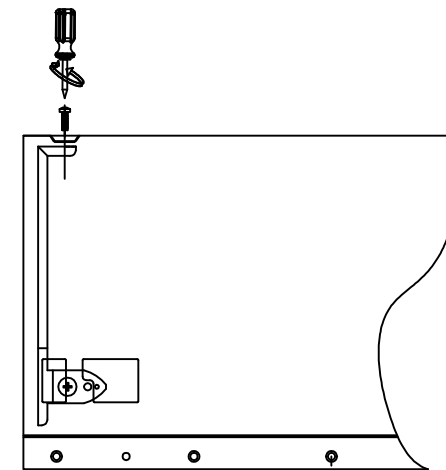
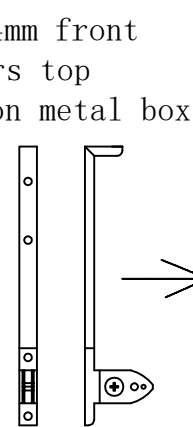
152mm front connectors mounting



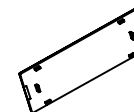
184mm front connectors mounting



152mm/184mm front connectors top screwed on metal box



big plastic cover



small plastic cover on top of metal box

