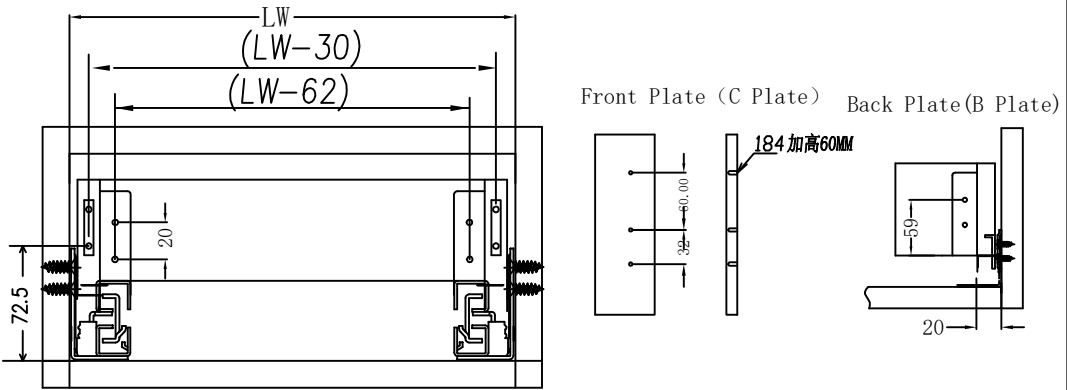
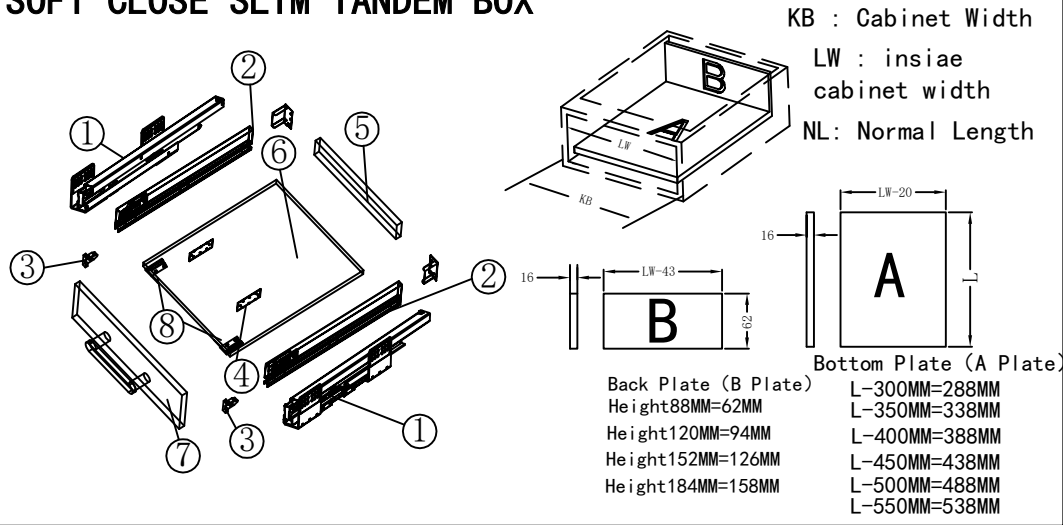
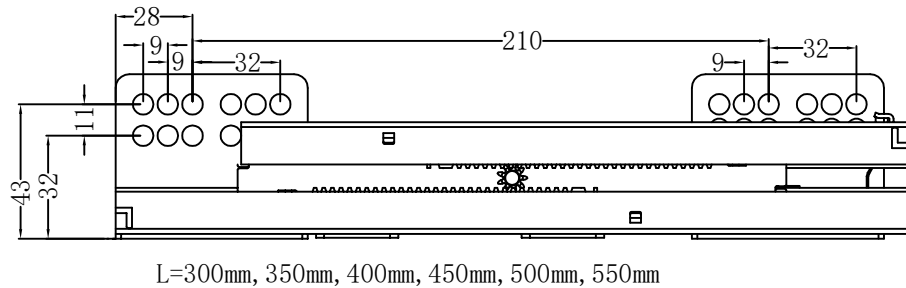


SOFT CLOSE SLIM TANDEM BOX

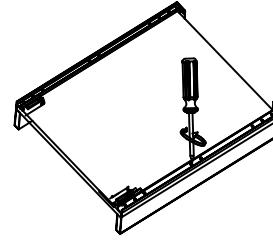


Installation Dimensions for the Drawer

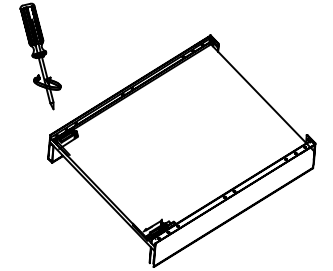
Cabinet Front Edge



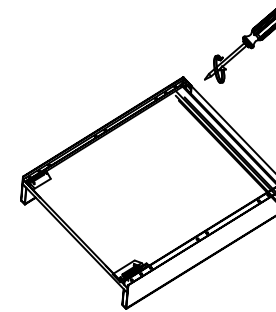
1. Install left and right metal box



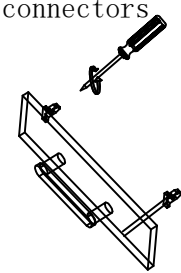
2. Install left and right front locks



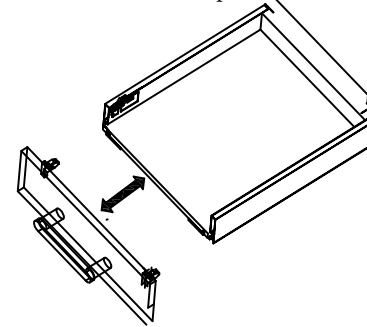
3. Install back Plate



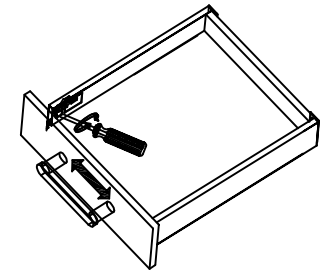
4. Install left and right front connectors



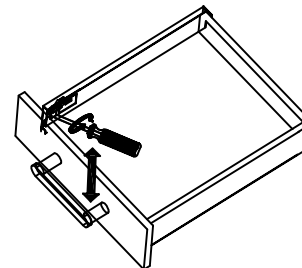
5. Install front plate



6. Right/Left adjustment



7. Up/Down adjustment



onrg for 152mm. 184mm metal box

