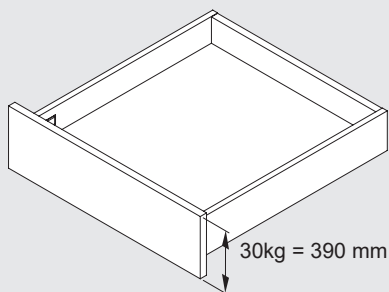


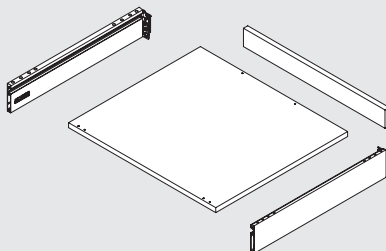
M02-88 SLIM BOX DRAWER



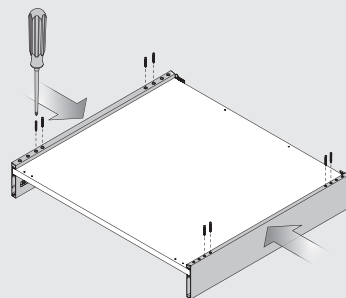
30kg = 390 mm max.

the drawer load capacity 30kgs
drawer door height 390mm is maxheight

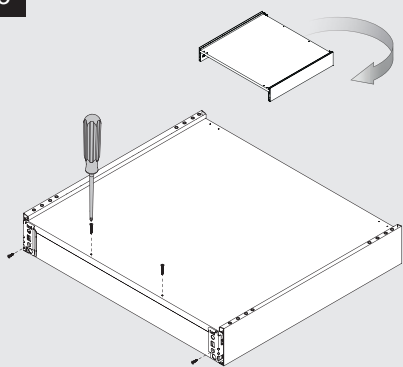
1



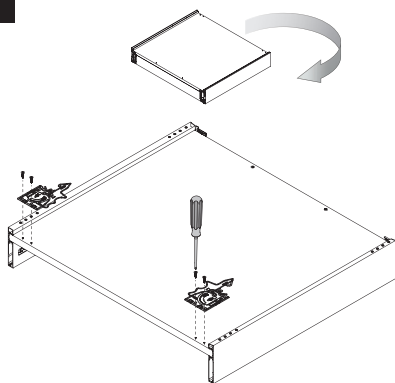
2



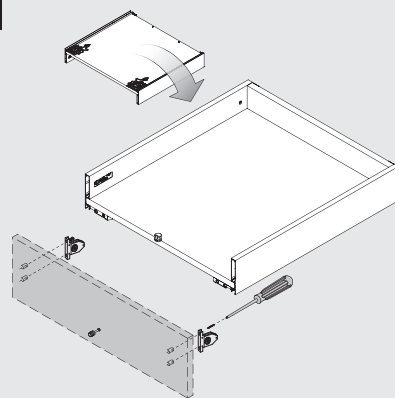
3



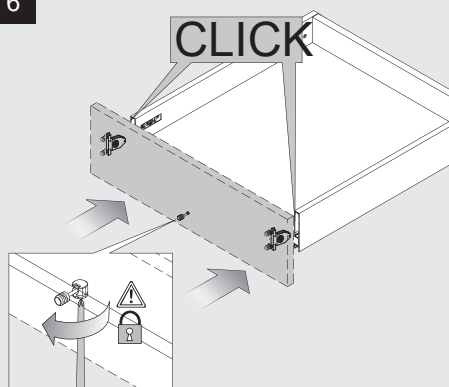
4



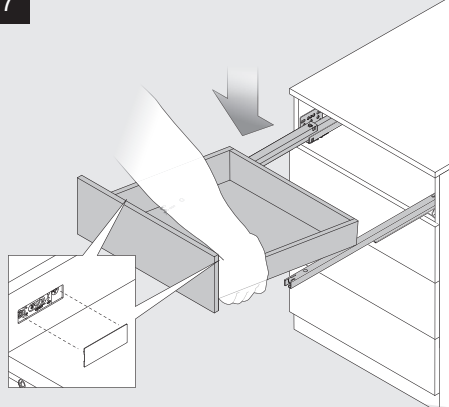
5



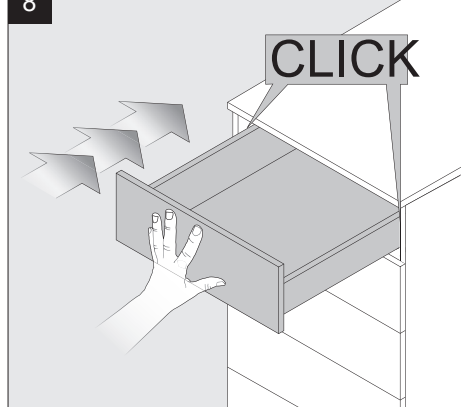
6

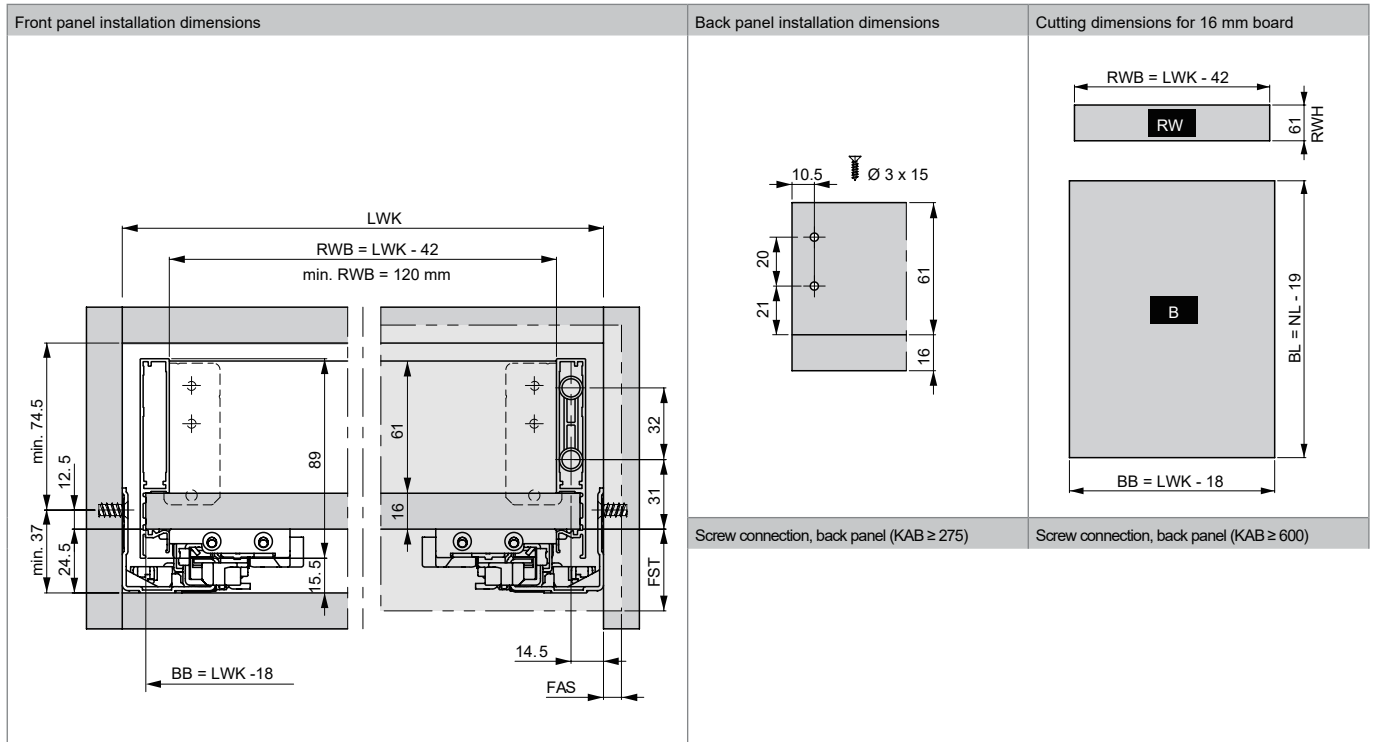


7



8



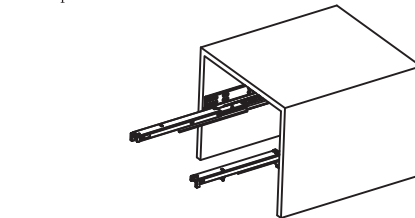


LEGEND

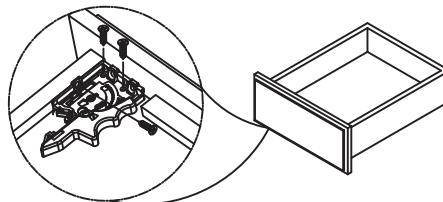
B	Bottom panel	FST	Front overlay	NL	Nominal length
BB	Bottom panel width	KV	Front edge of cabinet	RW	Back panel
BL	Bottom panel length	LWK	Inside cabinet width	RWB	Width of back panel
FAS	Front overlay, side	MET	Minimum installation depth	RWH	Height of back panel

All dimensions in millimetres. Subject to changes.

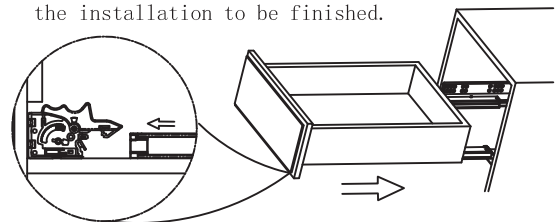
1) Please install the drawer and slide well, and keep the slide full extension outside the drawer.



2) The connecting link is installed on the bottom of the drawer.



3) Please put the drawer flat on the slide, and close the drawer completely. When the slide be connected with the connecting link, then the installation to be finished.



4) Press the connecting link then you can take out the drawer.

