

三节隐藏式缓冲滑轨 (V6款)
V6 Full extension soft closing under-mount slide

EURV6



基本参数 Basic Parameter

产品材质: 镀锌板
材料厚度: 1.5x1.5x1.5 mm
额定负重: 30KGS / 18" 标准长度
使用寿命: 超过50000次, 通过SGS疲劳测试
尺寸范围: 10" - 24", 也可根据要求定制
安装方式: 前置连接件连接
连接件调节幅度: 2.5mm (上下调节)
产品特点: 全新优化设计, 配备高精度的生产线和检测仪器
静音系统保证滑动导轨推拉轻松, 顺畅无噪声

Product material: Galvanized sheet
Material thickness: 1.5x1.5x1.5 mm
Load rating: 30KGS / 18" as standard
Cycling: over 50,000 times, pass the SGS fatigue test
Size range: 10" - 24", customized is available
Installation: Connect with front connector
The front connectors adjusting range: 2.5mm (up and down)
Product feature: Innovative new designed, produced by high accuracy production line and strict measuring, silent system guarantees smooth run without noise.

可选配件 Optional Accessories



3#塑料前置连接件



外置金属阻尼器
External metal dampers

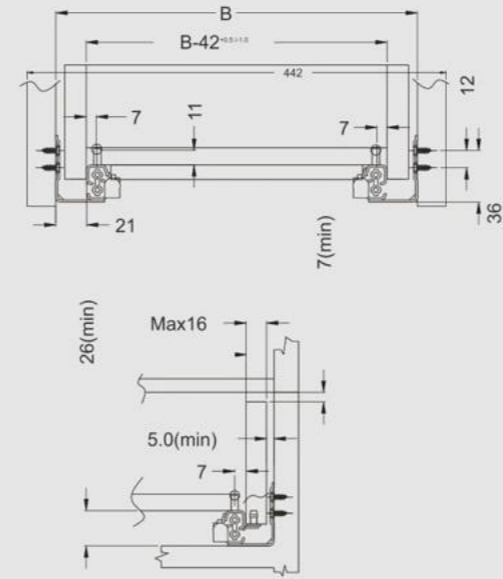
产品特点 Product features

产品规格 Product specifications

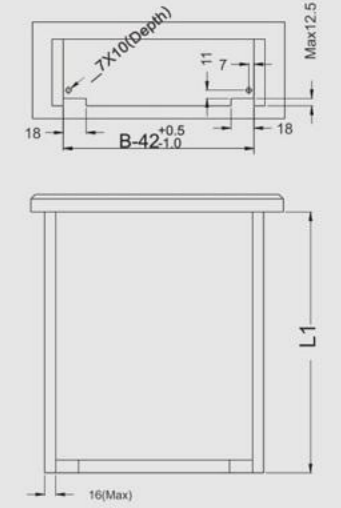
产品编号 Item No	滑轨长度 Slide Length	抽屉长度 (L1) Drawer Length	最小柜深 (L) Min Cabinet Depth	包装单位 (套/箱) Packing Unit (set/box)
EURV6-10"/250	257mm	250mm	270mm	10
EURV6-12"/300	307mm	300mm	320mm	10
EURV6-14"/350	357mm	350mm	370mm	10
EURV6-16"/400	407mm	400mm	420mm	10
EURV6-18"/450	457mm	450mm	470mm	10
EURV6-20"/500	507mm	500mm	520mm	10
EURV6-22"/550	557mm	550mm	570mm	10
EURV6-24"/600	607mm	600mm	620mm	10

Installation- 安装详情

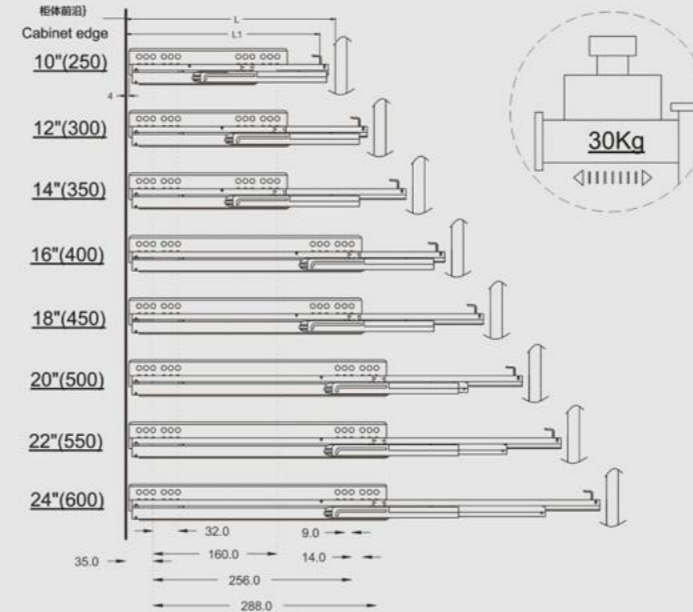
柜体内的空间需求
Cabinet Inside Space



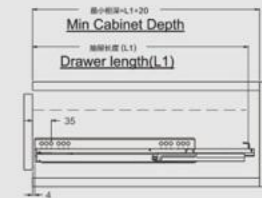
抽屉尺寸及打孔图
Drawer Size And Drilling Diagram



安装孔位图
Hole Pattern For Installation



外置抽屉
Standard drawer



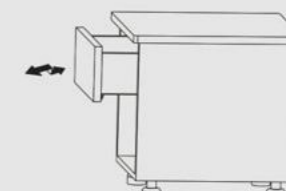
将左右把手安装抽屉底部
Assemble the handle on she bottom cabinet



将左右滑动轨安装在柜子两侧)
Assemble the left and right slide on both sides of cabinet



将抽屉放在导轨上, 然后推入柜体,
活动P轨与把手连接, 安装完成
Lay drawer bottom onto the slide then push the
drawer into the cabinet



将抽屉推入, 缓冲关闭)
Push the drawer drawer damping closed