

V2款二节隐藏式缓冲滑轨带调节钉
V2 Single extension soft closing undermount slide with adjustment screws

EURV2



基本参数 Basic Parameter

产品特点 Product features

产品材质: 冷轧板
材料厚度: 1.5x1.5mm
额定负重: 20KGS / 16" 标准长度
使用寿命: 超过50000次, 通过SGS疲劳测试
尺寸范围: 10" - 18", 也可根据要求定制
安装方式: 调节钉连接, 无需前置连接件
调节钉调节幅度: 4.5mm (上下调节)
产品特点: 全新优化设计, 配备高精度的生产线和检测仪器
静音系统保证滑动导轨推拉轻松, 顺畅无噪声



金属阻尼管
Metal damping tube



调节螺丝
Adjustable screws

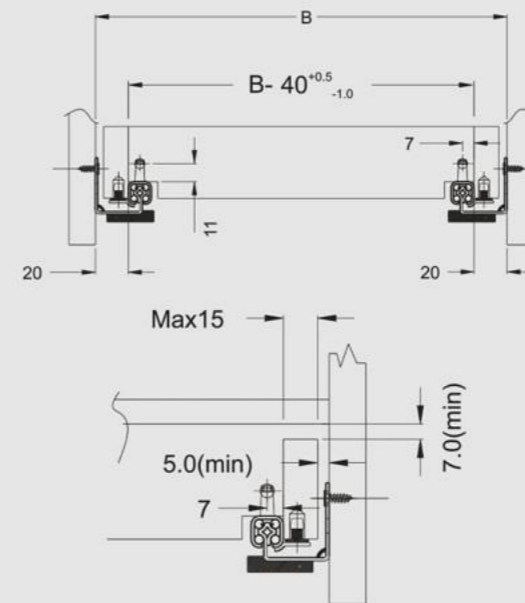
Product material: Cold rolled steel
Material thickness: 1.5x1.5 mm
Load rating: 20KGS / 16" as standard
Cycling: over 50,000 times, pass the SGS fatigue test
Size range: 10" - 18", customized is available
Installation: Connect with adjustment screws, don't need front connector
The adjustment screws adjusting range: 4.5mm (up and down)
Product feature: Innovative new designed, produced by high accuracy production line and strict measuring,
silent system guarantees smooth run without noise.

产品规格 Product specifications

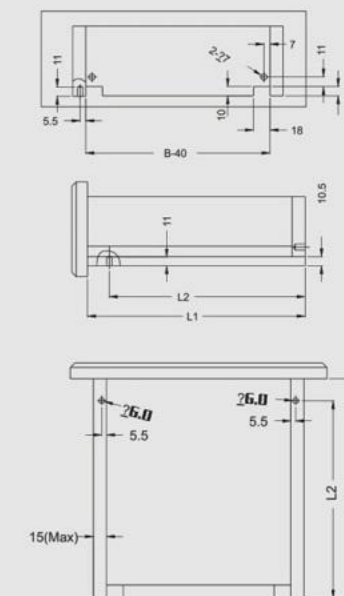
产品编号 Item No	滑轨长度 Slide Length	抽屉长度 (L1) Drawer Length	最小柜深 (L) Min Cabinet Depth	安装孔 (L2) Assembling hol	包装单位 (套/箱) Packing Unit (set/box)
EUR23A-10"/250	251mm	250mm	266mm	188.5mm	10
EUR33A-12"/300	301mm	300mm	316mm	188.5mm	10
EUR33A-14"/350	351mm	350mm	366mm	220.5mm	10
EUR33A-16"/400	401mm	400mm	416mm	149.5mm	10
EUR33A-18"/450	451mm	450mm	466mm	183.5mm	10

Installation- 安装详情

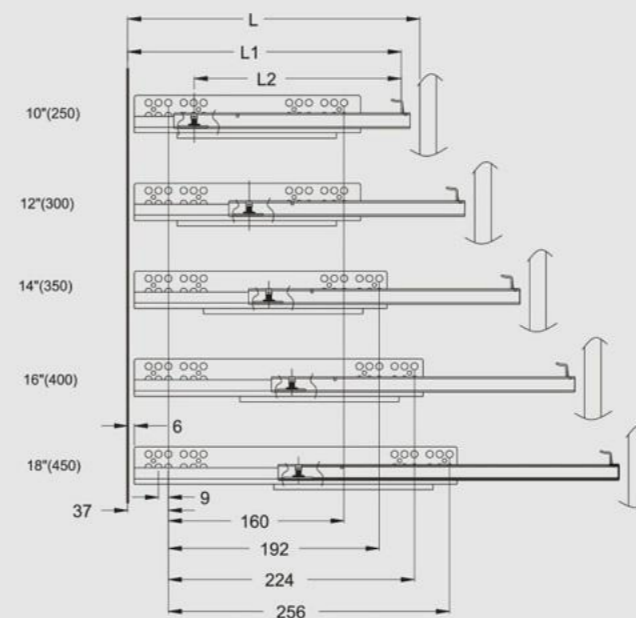
柜体内的空间需求
Dcabinet Inside Space



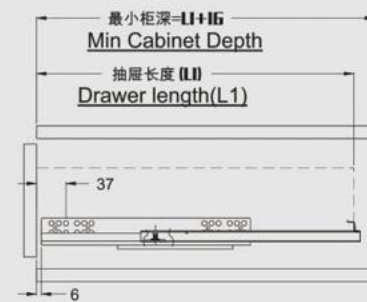
抽屉尺寸及打孔图
Drawer Size And Drilling Diagram



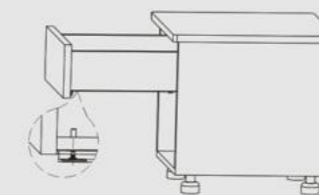
安装孔位图
Hole Pattern For Installation



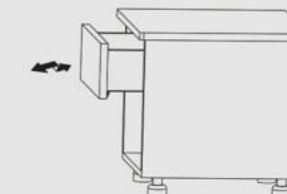
外置抽屉
Standard drawer



将左右滑动轨安装在柜子两侧)
Assemble the left and right slide on both sides of cabinet



将抽屉放在滑动轨上, 调节螺丝钉插入抽屉孔内, 与然后推入柜体, 安装完成
The drawer on the slide, regulating screw into the drawer hole, and then into the cabinet, the installation is complete



将抽屉推入, 缓冲关闭)
Push the drawer drawer damping closed