

三节侧装拉篮缓冲滑轨  
Full extension side mounted soft closing wire-basket slide

EUR33S



基本参数 Basic Parameter

产品材质: 镀锌板  
材料厚度: 1.5x2.0x1.5 mm  
额定负重: 35KGS / 18" 标准长度  
使用寿命: 超过50000次, 通过SGS疲劳测试  
尺寸范围: 16" - 20", 也可根据要求定制  
产品特点: 1.全新优化设计, 配备高精度的生产线和检测仪器  
2.双缓冲静音系统保证滑动导轨推拉轻松, 顺畅无噪声  
3.导轨全展拉出, 拉篮安装和拆卸快捷方便

Product material: Galvanized sheet  
Material thickness: 1.8x1.5x1.0 mm  
Load rating: 35KGS / 18" as standard  
Cycling: over 50,000 times, pass the SGS fatigue test  
Size range: 12" - 22" ,customized is available  
Product feature: 1. Innovative new designed , produced by high accuracy production line and strict measuring,  
2. Smooth and stable running with new damper, silent soft closing, sfe and reliable  
3. Full extension slide, easy basket installation and removing.

产品特点 Product features



金属阻尼管  
Metal damping tube



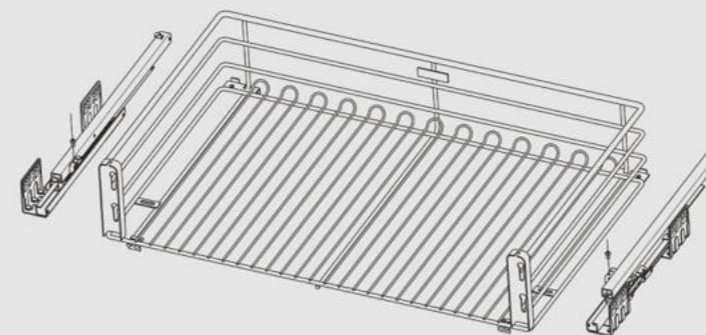
螺丝安装孔  
Screws installation hole

产品规格 Product specifications

产品编号 Item No	滑轨长度 (L1) Slide Length	最小柜深 (L) Min Cabinet Depth	尾钩到安装孔 (L2) Tail hook to mounting hole(L2)	包装单位 (套/箱) Packing Unit ( set/box )
EUR33S-16"/400	400mm	398mm	445mm	10
EUR33S-18"/450	450mm	448mm	495mm	10
EUR33S-20"/500	500mm	498mm	545mm	10

Installation- 安装详情

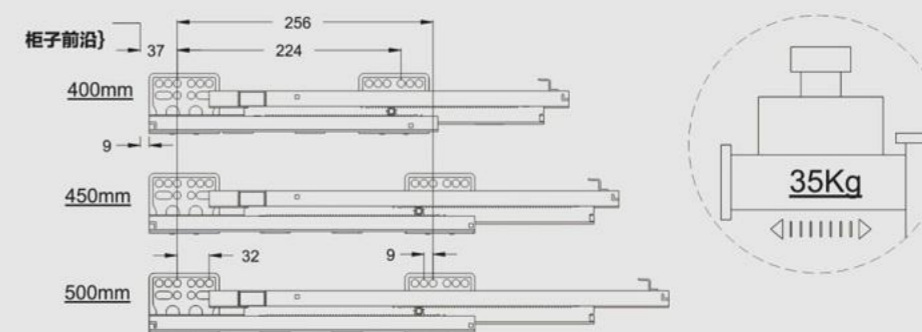
基本部件  
The basic components



安装示意图  
Install Diagram



安装孔位图  
Hole Pattern For Installation



双缓冲示意图

