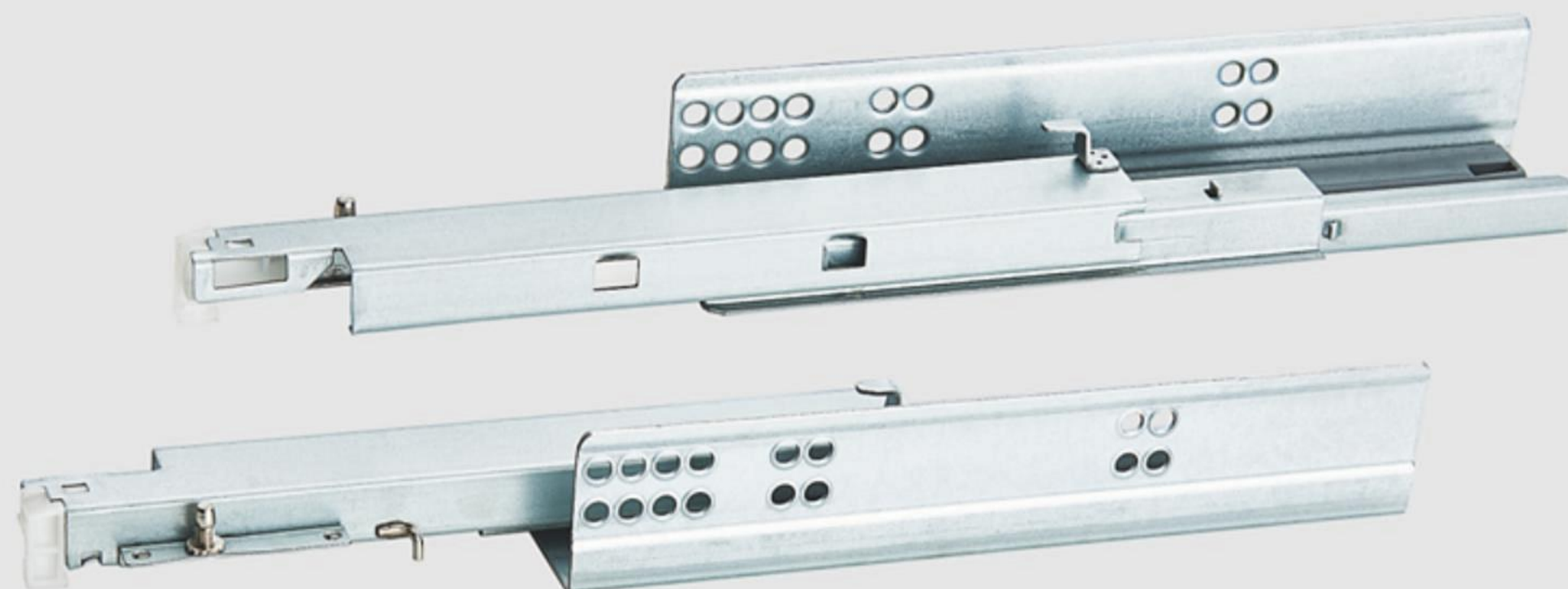


欧式三节隐藏式弹压滑轨带调节钉
European style full extension push-opening undermount slide with adjustment screws

EUR33C



基本参数 Basic Parameter

产品材质: 镀锌板
材料厚度: 1.8x1.5x1.0 mm
额定负重: 35KGS / 18" 标准长度
使用寿命: 超过50000次, 通过SGS疲劳测试
尺寸范围: 12" - 22", 也可根据要求定制
安装方式: 调节钉连接 (可带插销), 无需前置连接件
调节钉调节幅度: 4.5mm (上下调节)
产品特点: 全新优化设计, 配备高精度的生产线和检测仪器
静音系统保证滑动导轨推拉轻松, 顺畅无噪声

产品特点 Product features



调节螺丝
Adjustable screws

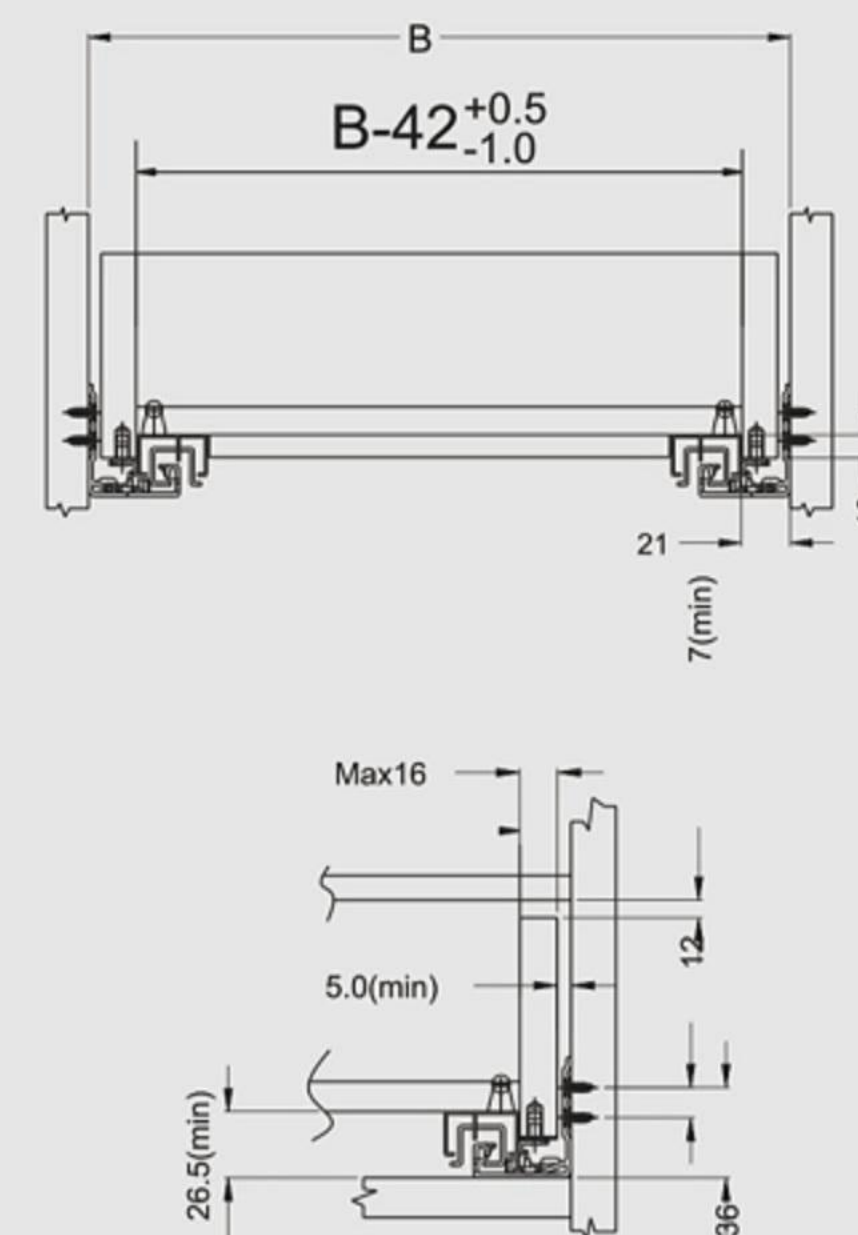
Product material: Galvanized sheet
Material thickness: 1.8x1.5x1.0 mm
Load rating: 35KGS / 18" as standard
Cycling: over 50,000 times, pass the SGS fatigue test
Size range: 12" - 22", customized is available
Installation: Connect with adjustment screws or plastic plug, don't need front connector
The adjustment screws adjusting range: 4.5mm (up and down)
Product feature: Innovative new designed, produced by high accuracy production line and strict measuring, silent system guarantees smooth run without noise.

产品规格 Product specifications

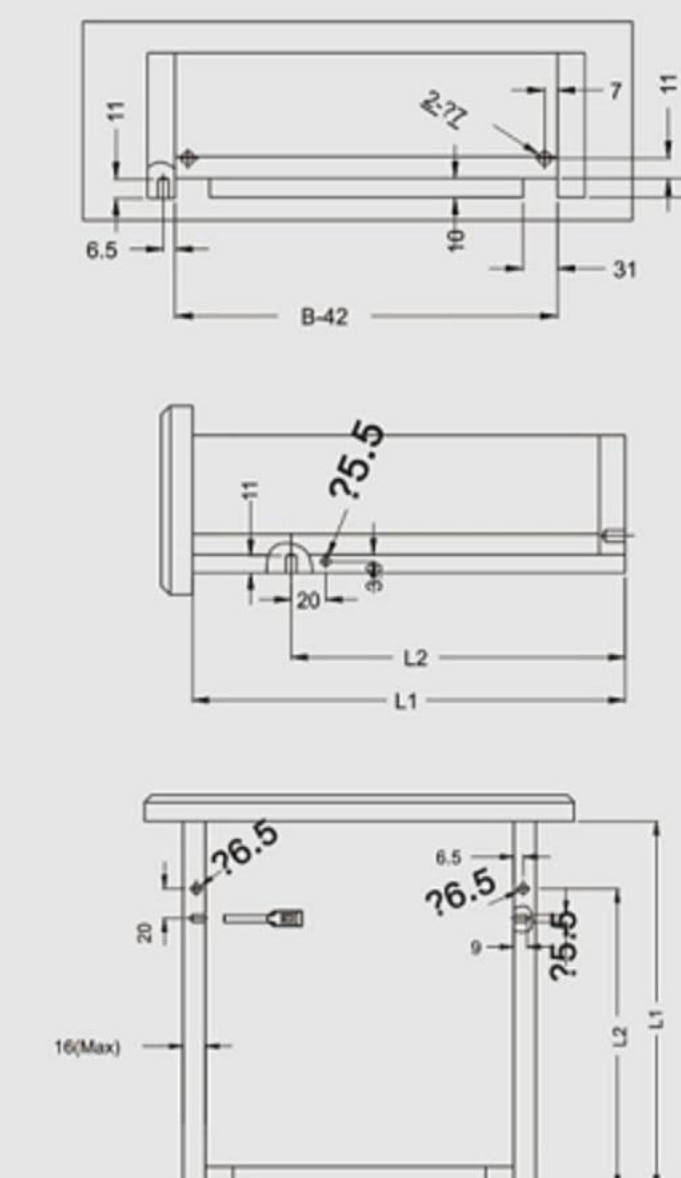
产品编号 Item No	滑轨长度 Slide Length	抽屉长度 (L1) Drawer Length	弹出长度 Push-open Length	最小柜深 (L) Min Cabinet Depth	安装孔 (L2) Assembling hole	包装单位 (套/箱) Packing Unit (set/box)
EUR33C-12"/300	307mm	300mm	295mm	322mm	256mm	10
EUR33C-14"/350	357mm	350mm	335mm	372mm	306mm	10
EUR33C-16"/400	407mm	400mm	385mm	422mm	356mm	10
EUR33C-18"/450	457mm	450mm	435mm	472mm	406mm	10
EUR33C-20"/500	507mm	500mm	485mm	522mm	456mm	10
EUR33C-22"/550	557mm	550mm	535mm	572mm	506mm	10

Installation- 安装详情

柜体内的空间需求
Dcabinet Inside Space

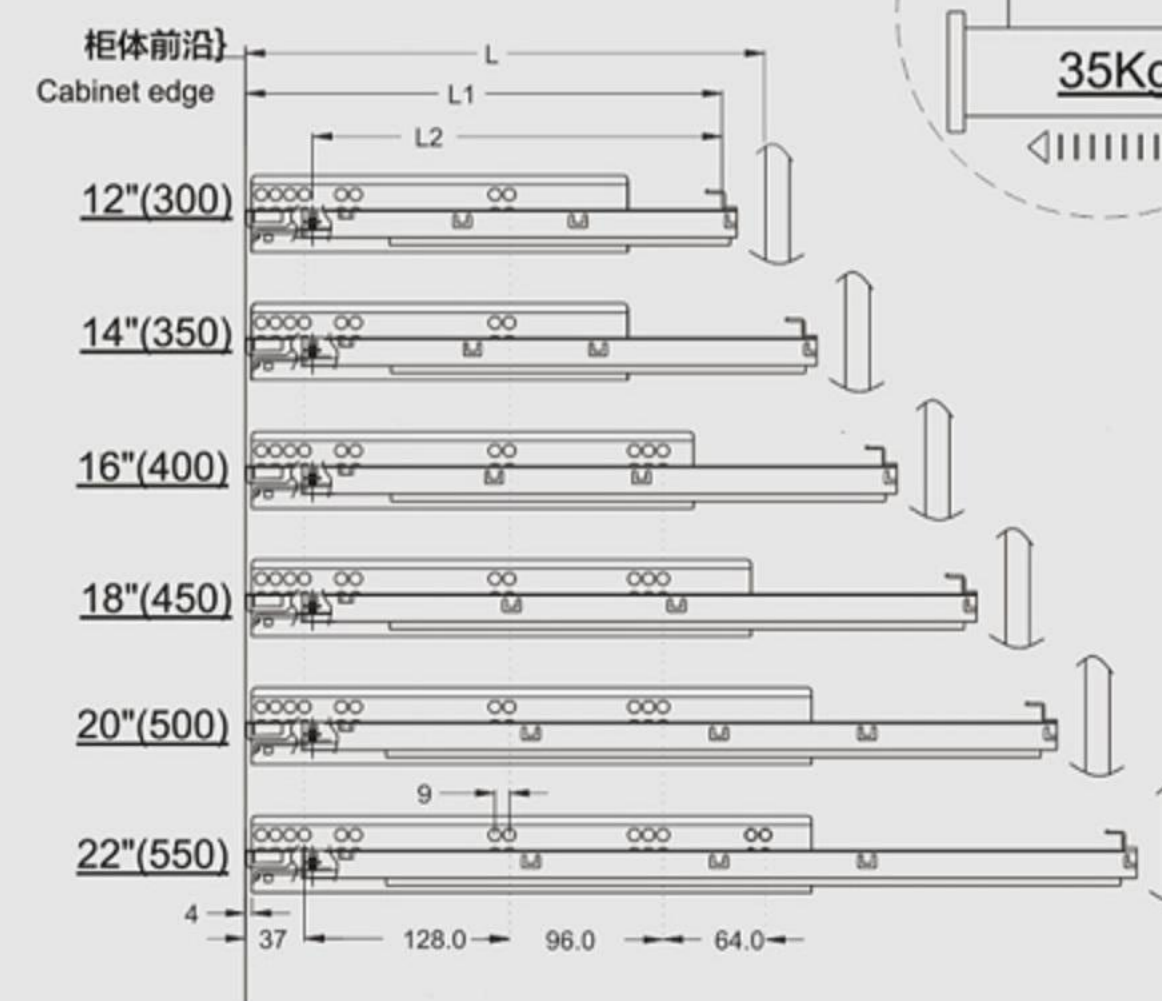


抽屉尺寸及打孔图
Drawer Size And Drilling Diagram

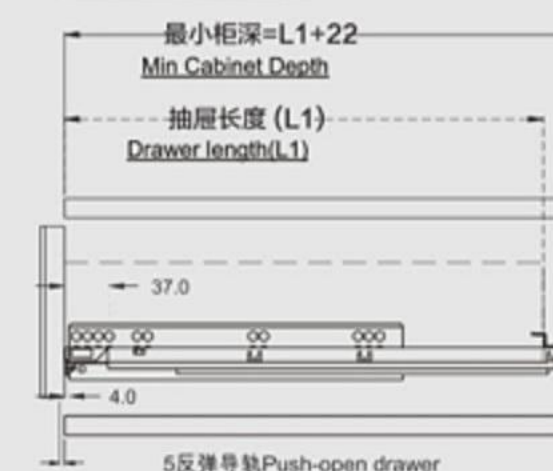


安装孔位图
Hole Pattern For Installation

安装孔位图
Hole pattern for installation



外置抽屉
Standard drawer



内置抽屉
Inner drawer

