

欧式三节隐藏式缓冲滑轨带调节钉

European style full extension soft closing under mount slide with adjustment screws

EUR33A



基本参数 Basic Parameter

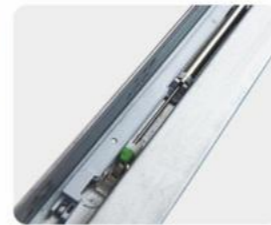
产品材质: 镀锌板
 材料厚度: 1.8x1.5x1.0 mm
 额定负重: 35KGS / 18" 标准长度
 使用寿命: 超过50000次, 通过SGS疲劳测试
 尺寸范围: 12" - 22", 也可根据要求定制
 安装方式: 调节钉连接 (可带插销), 无需前置连接件
 调节钉调节幅度: 4.5mm (上下调节)
 产品特点: 全新优化设计, 配备高精度的生产线和检测仪器
 静音系统保证滑动导轨推拉轻松, 顺畅无噪声

Product material: Galvanized sheet
 Material thickness: 1.8x1.5x1.0 mm
 Load rating: 35KGS / 18" as standard
 Cycling: over 50,000 times, pass the SGS fatigue test
 Size range: 12" - 22", customized is available
 Installation: Connect with adjustment screws or plastic plug, don't need front connector
 The adjustment screws adjusting range: 4.5mm (up and down)
 Product feature: Innovative new designed , produced by high accuracy production line and strict measuring,
 silent system guarantees smooth run without noise.

产品特点 Product features



调节螺丝
Adjustment screws



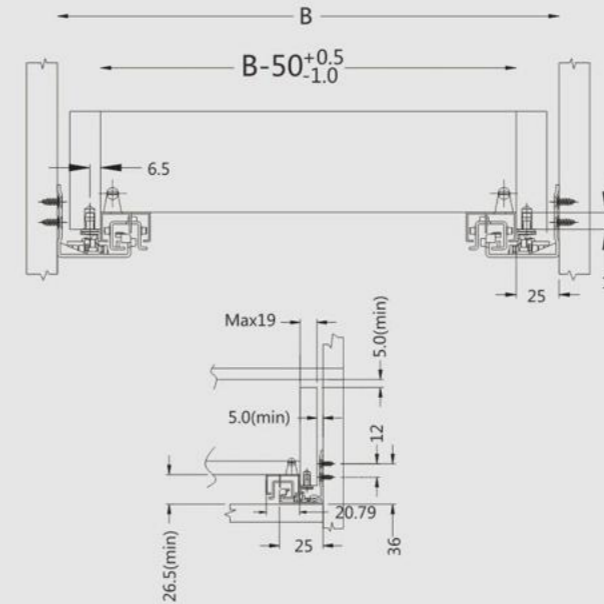
金属阻尼管
Metal damping tube

产品规格 Product specifications

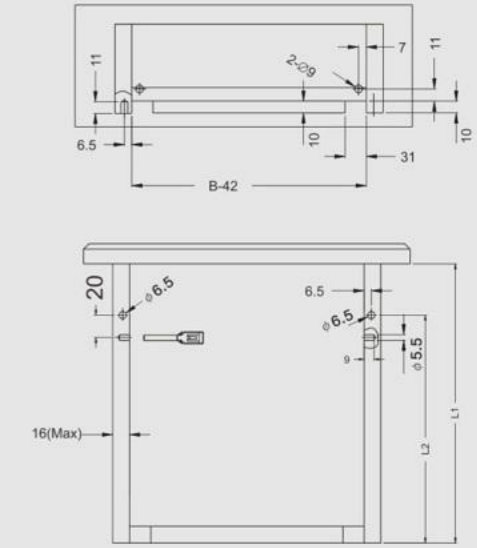
产品编号 Item No	滑轨长度 Slide Length	抽屉长度 (L1) Drawer Length	最小柜深 (L) Min Cabinet Depth	安装孔 (L2) Assembling hole	包装单位 (套/箱) Packing Unit (set/box)
EUR33A-12"/300	308mm	300mm	322mm	256mm	10
EUR33A-14"/350	358mm	350mm	372mm	306mm	10
EUR33A-16"/400	408mm	400mm	422mm	356mm	10
EUR33A-18"/450	458mm	450mm	472mm	406mm	10
EUR33A-20"/500	508mm	500mm	522mm	456mm	10
EUR33A-22"/550	558mm	550mm	572mm	506mm	10

Installation- 安装详情

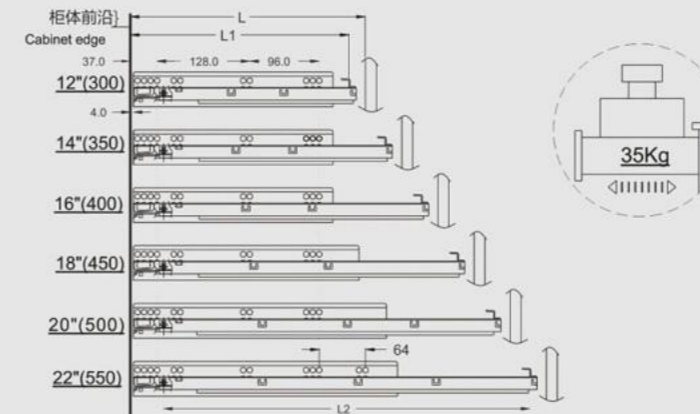
柜体内的空间需求 Dcabinet Inside Space



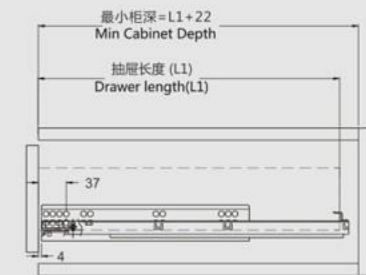
抽屉尺寸及打孔图 Drawer Size And Drilling Diagram



安装孔位图 Hole Pattern For Installation



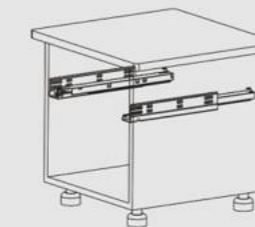
外置抽屉 Standard drawer



将左右滑动轨安装在柜子两侧
Assemble the left and right slide on both sides of cabinet



将抽屉推入, 缓冲关闭
Push the drawer drawer damping closed



将抽屉放在滑动轨上, 调节螺丝钉插入抽屉孔内, 与然后推入柜体, 安装完成
The drawer on the slide, regulating screw into the drawer hole, and then into the cabinet, the installation is complete.

