

欧式二节隐藏式缓冲滑轨带调节钉  
European style single extension soft closing undermount slide with adjustment screws

EUR23A



基本参数 Basic Parameter

产品材质: 镀锌板  
材料厚度: 1.5x1.5mm  
额定负重: 25KGS / 18" 标准长度  
使用寿命: 超过50000次, 通过SGS疲劳测试  
尺寸范围: 11" - 22", 也可根据要求定制  
安装方式: 调节钉连接 (可带插销), 无需前置连接件  
调节钉调节幅度: 4.5mm (上下调节)  
产品特点: 全新优化设计, 配备高精度的生产线和检测仪器  
静音系统保证滑动导轨推拉轻松, 顺畅无噪声

Product material: Galvanized sheet  
Material thickness: 1.5x1.5 mm  
Load rating: 25KGS / 18" as standard  
Cycling: over 50,000 times, pass the SGS fatigue test  
Size range: 11" - 22", customized is available  
Installation: Connect with adjustment screws or plastic plug, don't need front connector  
The adjustment screws adjusting range: 4.5mm (up and down)  
Product feature: Innovative new designed, produced by high accuracy production line and strict measuring, silent system guarantees smooth run without noise.

产品特点 Product features



金属阻尼管  
Metal damping tube



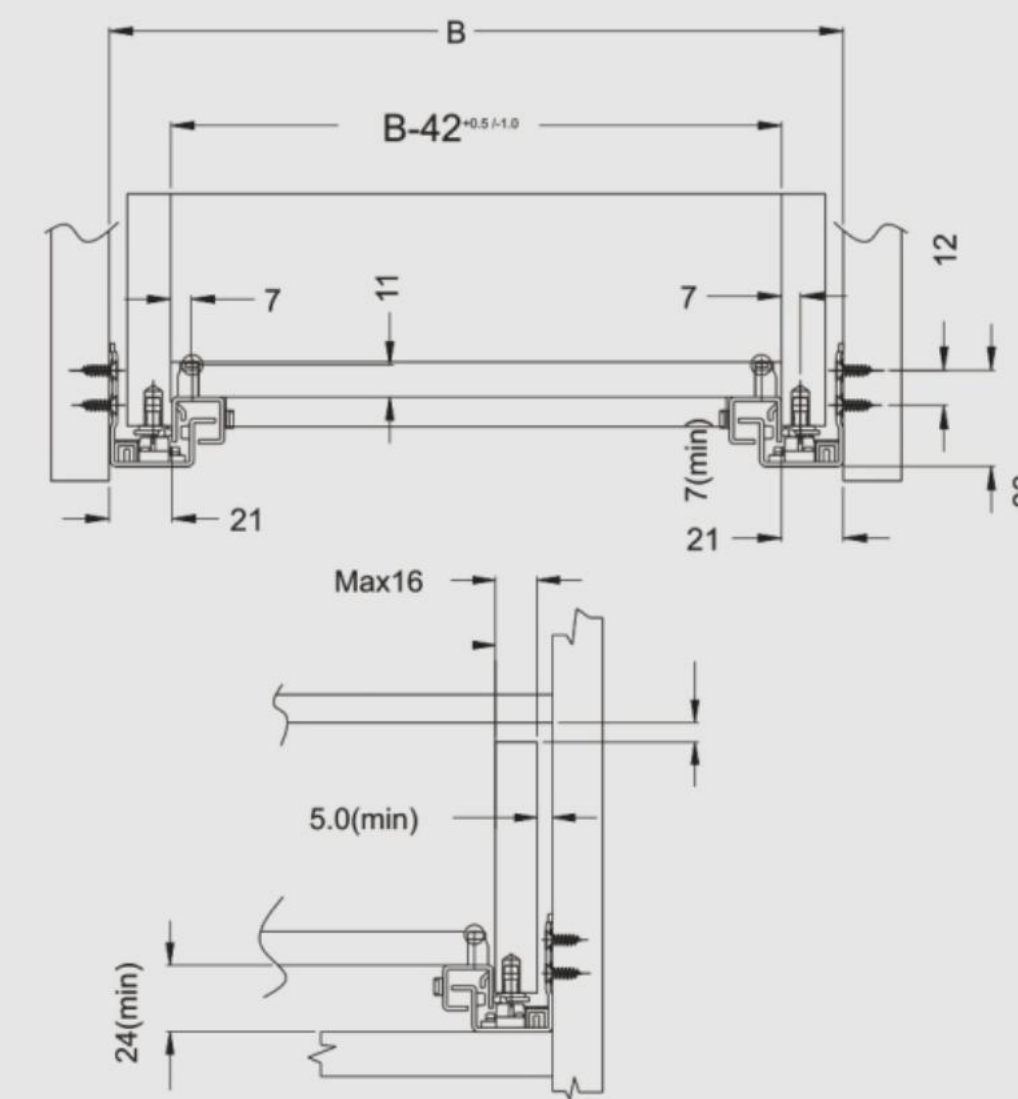
调节螺丝  
Adjustable screws

产品规格 Product specifications

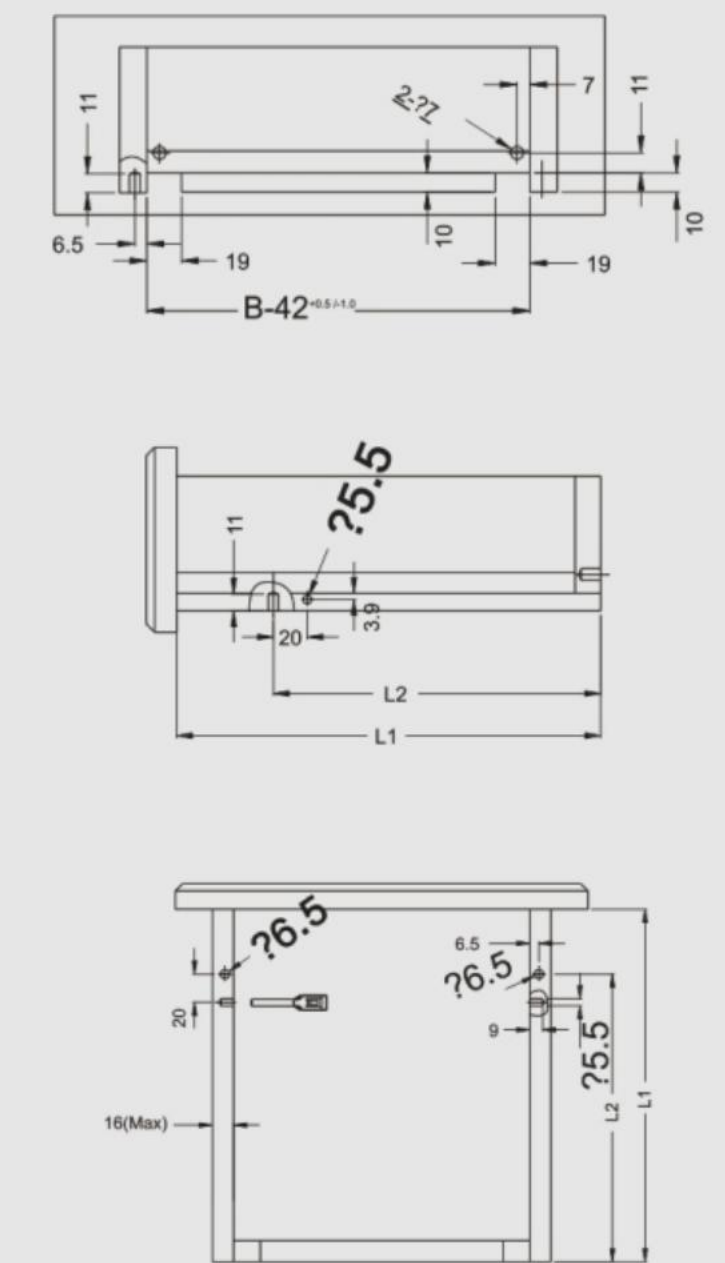
产品编号 Item No	滑轨长度 Slide Length	抽屉长度 (L1) Drawer Length	最小柜深 (L) Min Cabinet Depth	安装孔 (L2) Assembling hol	包装单位 (套/箱) Packing Unit ( set/box )
EUR23A-11"/270	276mm	270mm	290mm	226mm	10
EUR33A-12"/300	306mm	300mm	320mm	256mm	10
EUR33A-14"/350	356mm	350mm	370mm	306mm	10
EUR33A-16"/400	406mm	400mm	420mm	356mm	10
EUR33A-18"/450	456mm	450mm	470mm	406mm	10
EUR33A-20"/500	506mm	500mm	520mm	456mm	10
EUR33A-22"/550	556mm	550mm	570mm	506mm	10

Installation- 安装详情

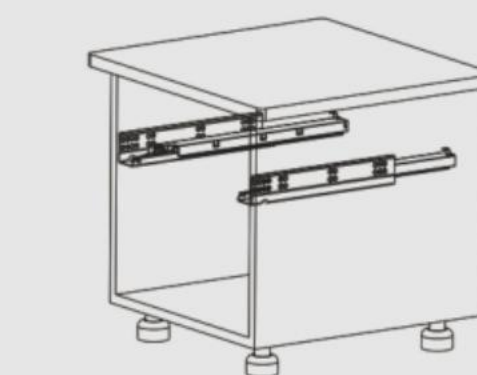
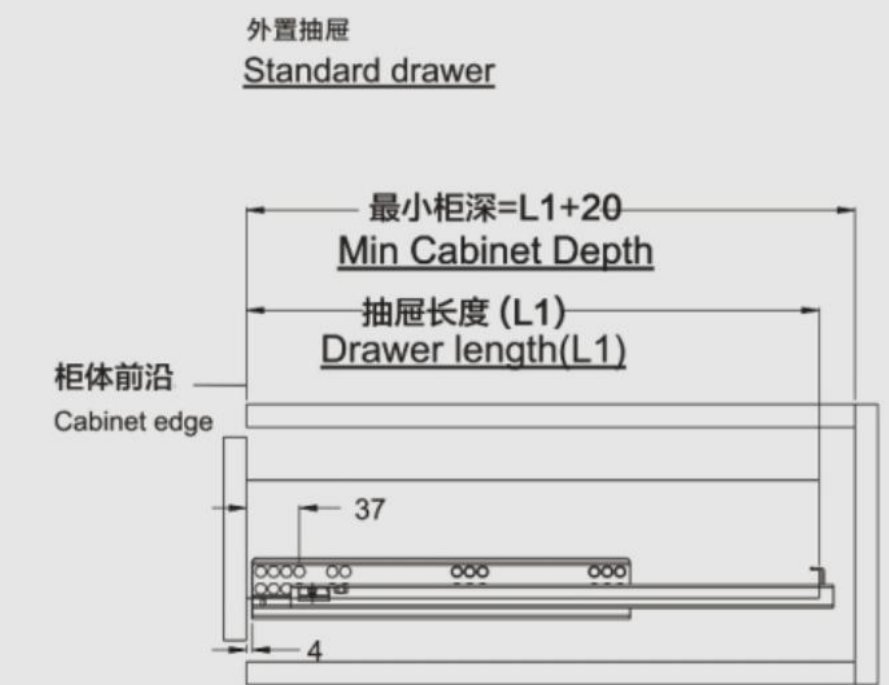
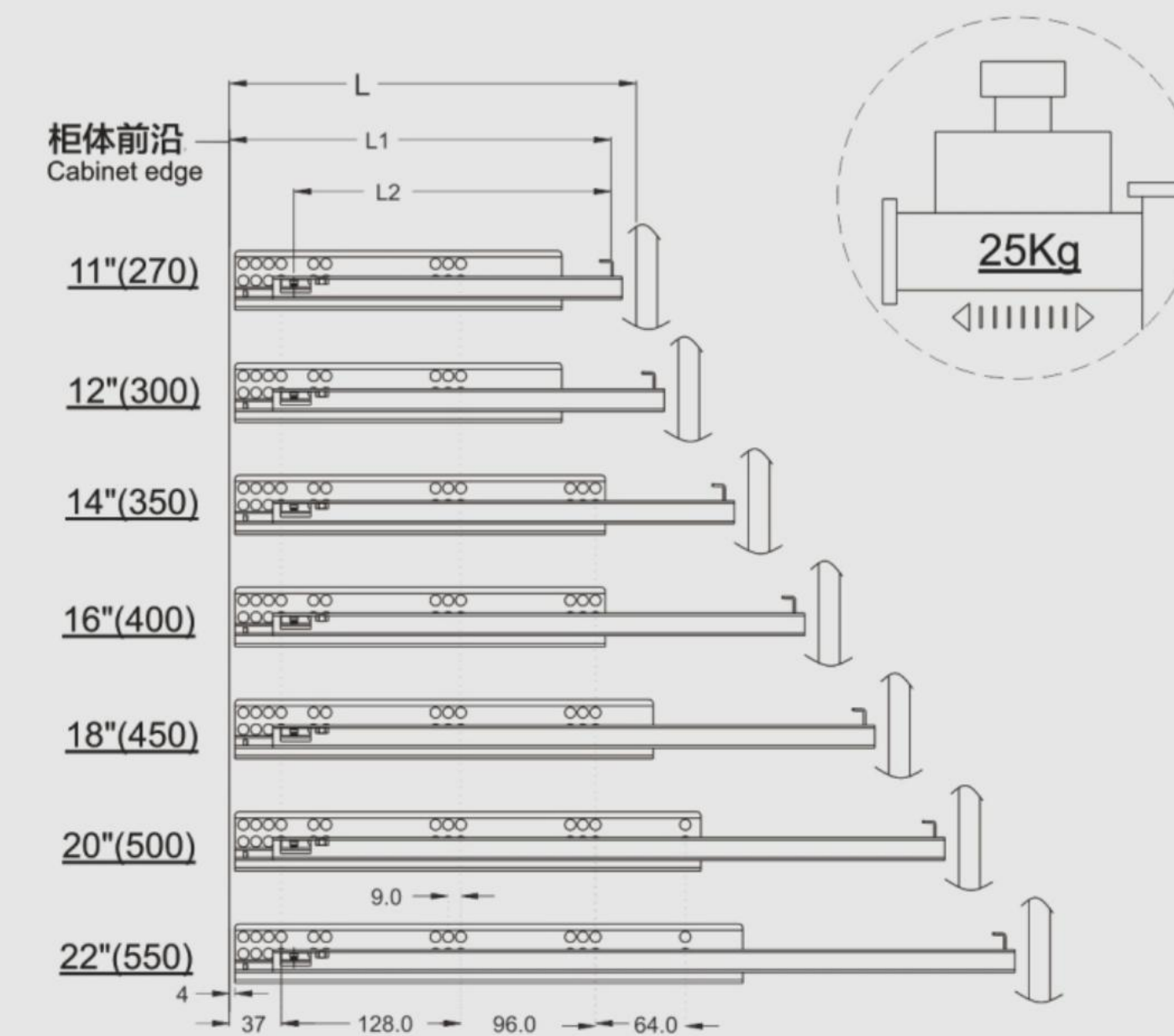
柜体内的空间需求  
Dcabinet Inside Space



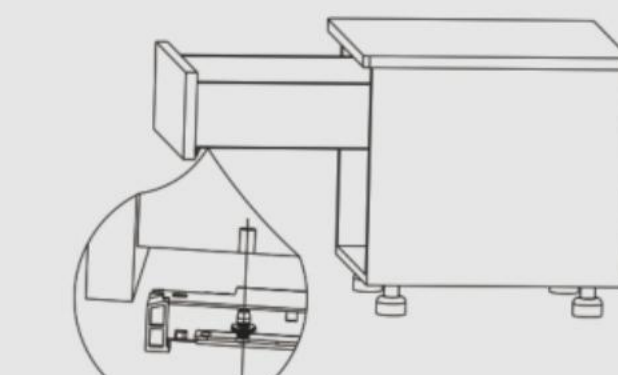
抽屉尺寸及打孔图  
Drawer Size And Drilling Diagram



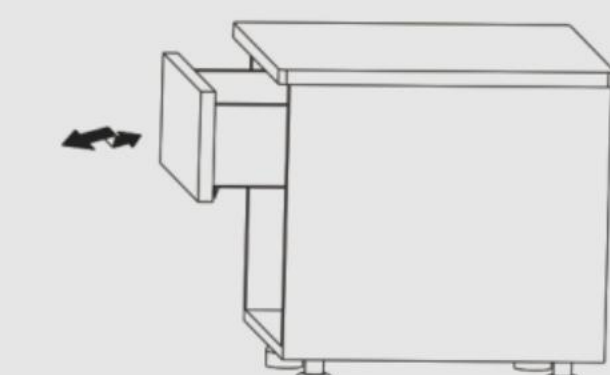
安装孔位图  
Hole Pattern For Installation



将左右滑动轨安装在柜子两侧)  
Assemble the left and right slide on both sides of cabinet



将抽屉放在滑动轨上, 调节螺丝钉插入抽屉孔内, 与然后推入柜体, 安装完成  
The drawer on the slide, regulating screw into the drawer hole, and then into the cabinet, the installation is complete



将抽屉推入, 缓冲关闭)  
Push the drawer drawer damping closed