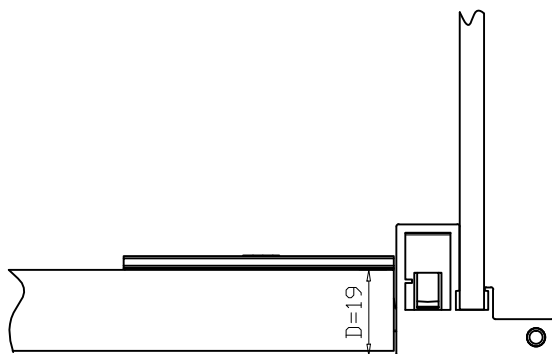
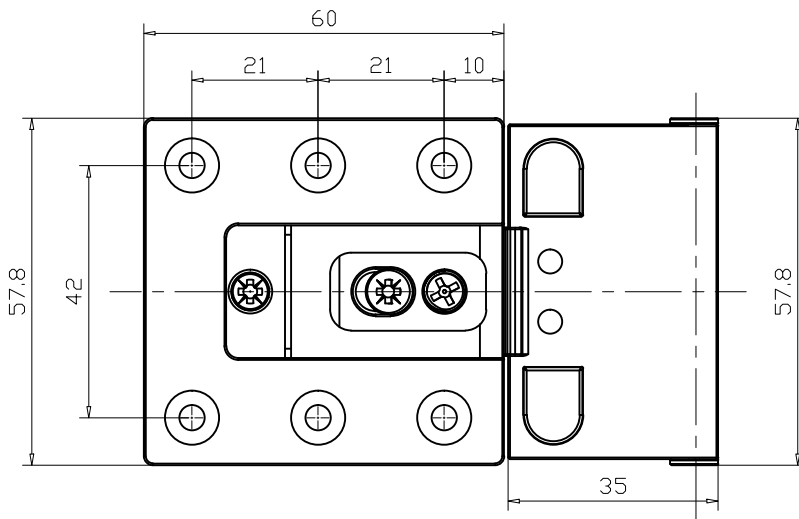
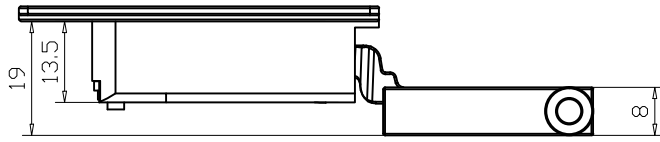


AF270 INVISIBLE PIVOT HINGE TECHNICAL SPECIFICATION



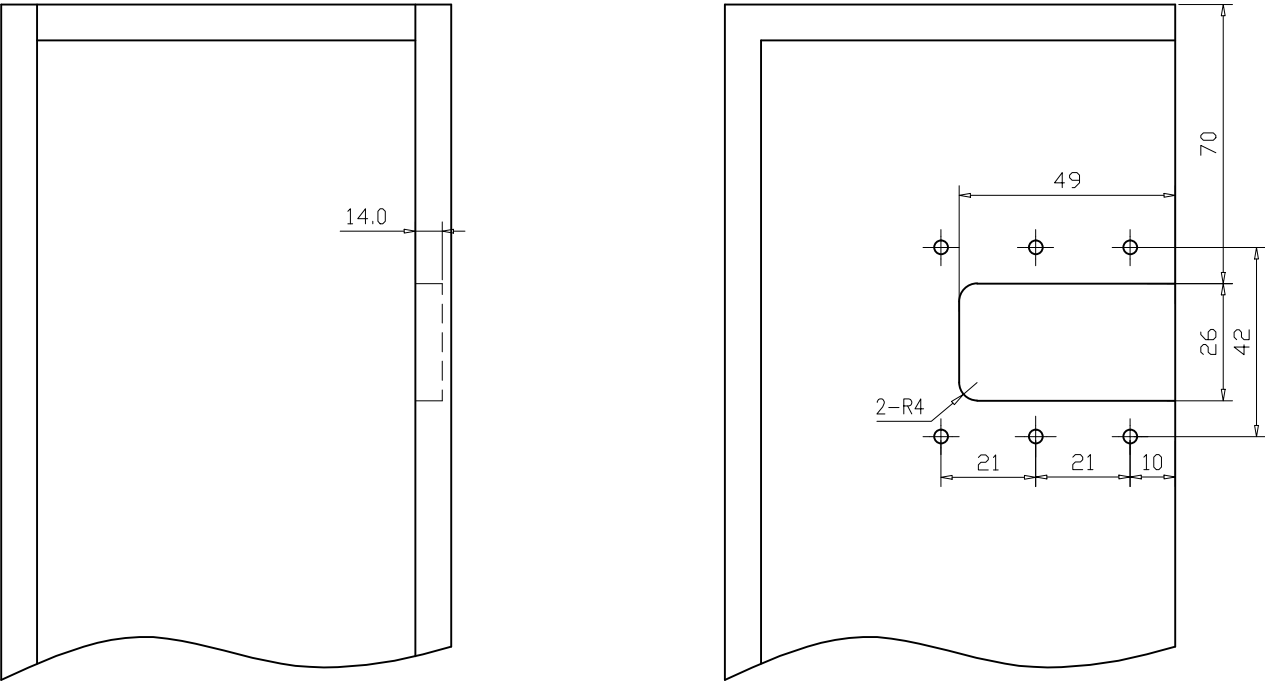
FULL OVERLAY

PRODUCT INFORMATION:

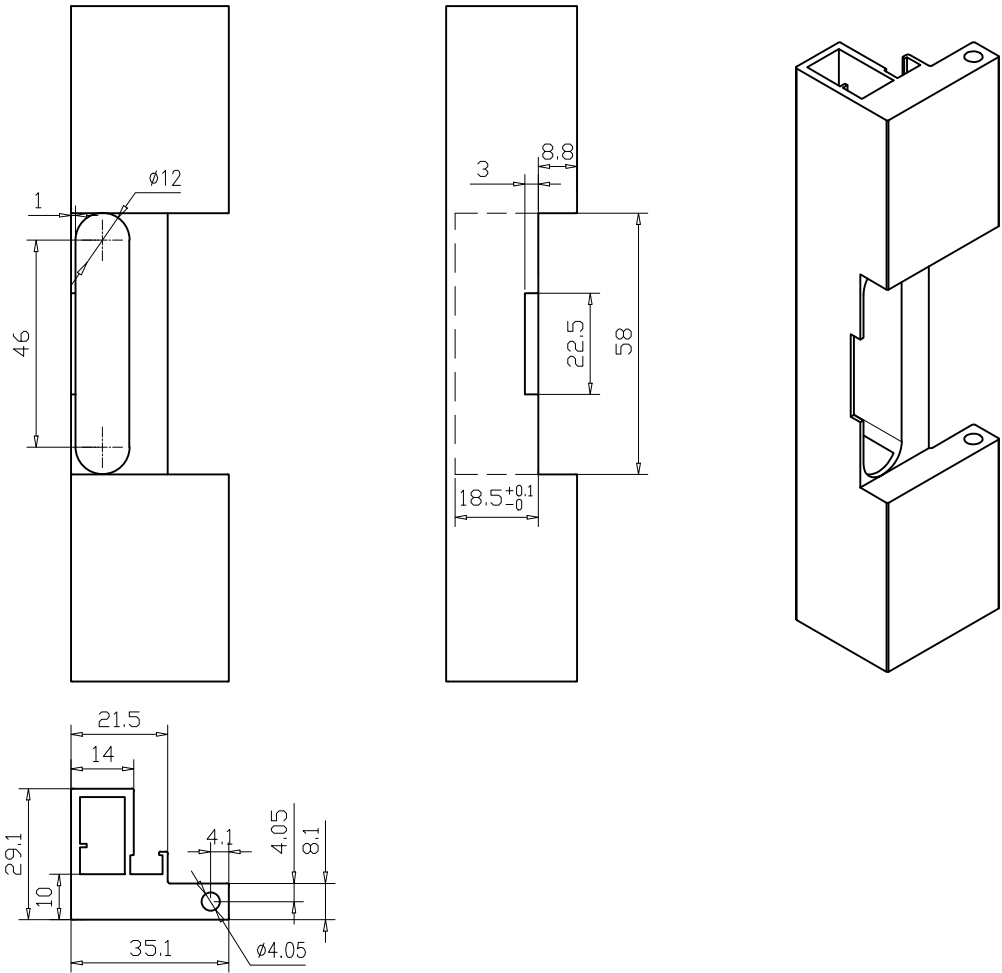
- 1.The pivot hinge professional use for 35mm thickness aluminum frame doors.
- 2.Maximum door size: Height 2700 mm, width 500 mm.
- 3.Opening angle: 270 Degree
- 4.Hinge base height: 13.5 mm
- 5.Maximum full overlay $D=19$ mm
- 6.Adjustable for door gaps: $+3.0/-0$ mm
- 7.Adjustable for door up and down: $+2.0/-2.0$ (Tolerance ± 0.2 mm)
- 8.Adjustable for overlay: -4.0 mm
- 9.Material: Zinc alloy
- 10.Surface: Powder coated

AF270 INVISIBLE PIVOT HINGE DRILLING SIZE FOR WOODEN DOOR

Drilling size for cabinet side board

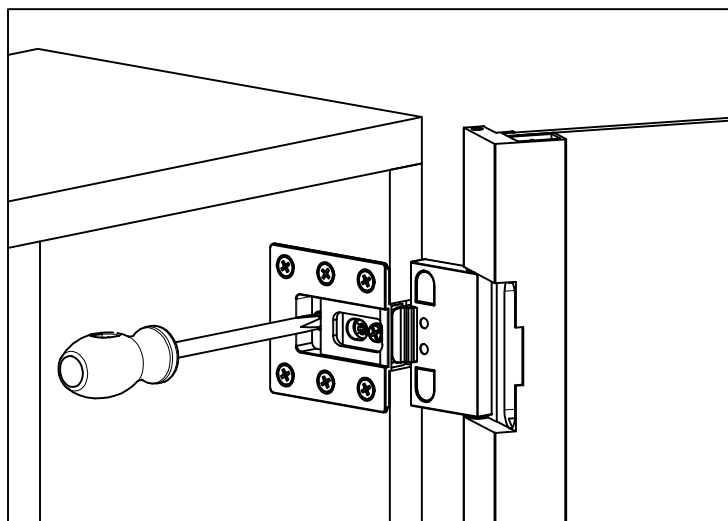
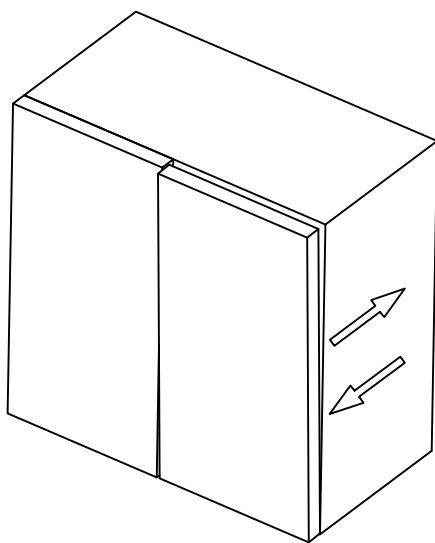


Drilling size for aluminum profile

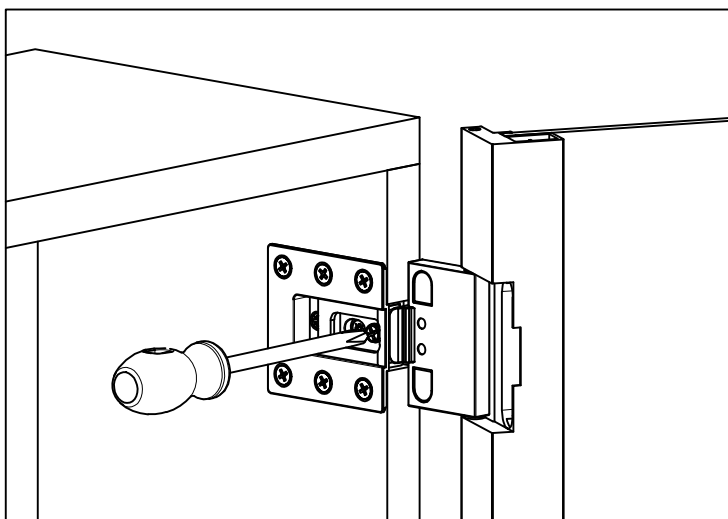
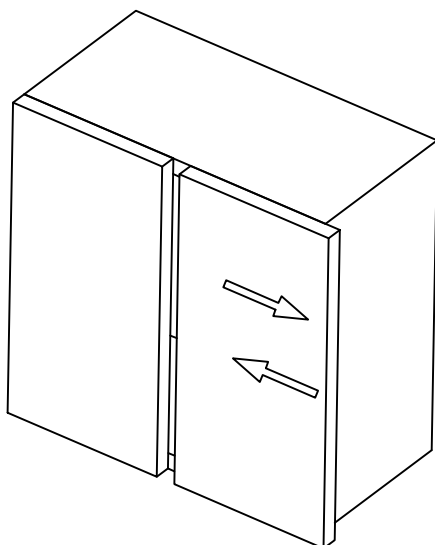


AF270 INVISIBLE PIVOT HINGE CALIBRATION METHOD

Adjustable for door gaps +3.0/-0



Adjustable for overlay -4.0



Adjustable for door up and down +2.0/-2.0

