

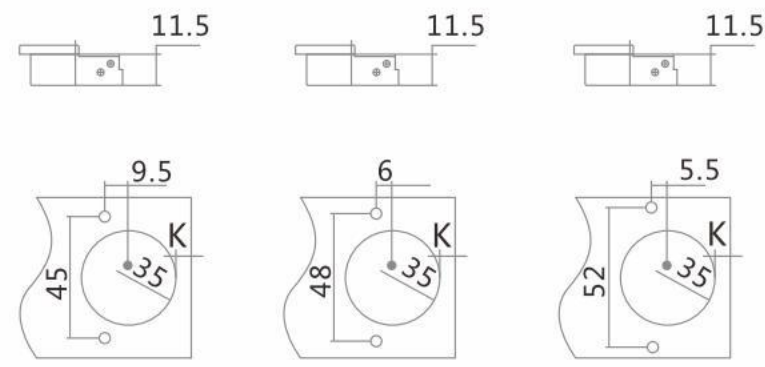
卡式六向调节内置阻尼铰链

Clip-on 6-way Soft Closing Hinge With Inner Damper

产品描述

- 开启角度: 95°/105°
- 铰杯厚度: 11.5毫米
- 铰杯直径: 35毫米
- 面板(K)尺寸: 3-7毫米
- 门板可用厚度: 14-22毫米
- Opening angle: 95°/105°
- Thickness of hinge cup: 11.5mm
- Diameter of hinge cup: 35mm
- Panel (K) Size: 3-7mm
- Available door thickness: 14-22mm

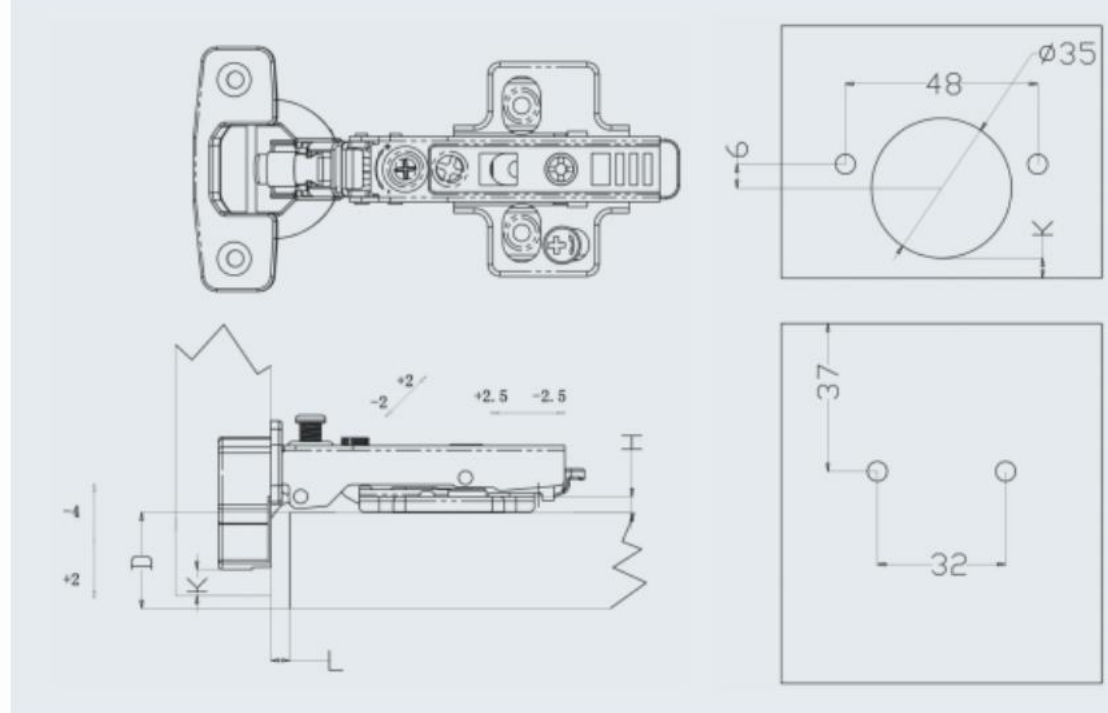
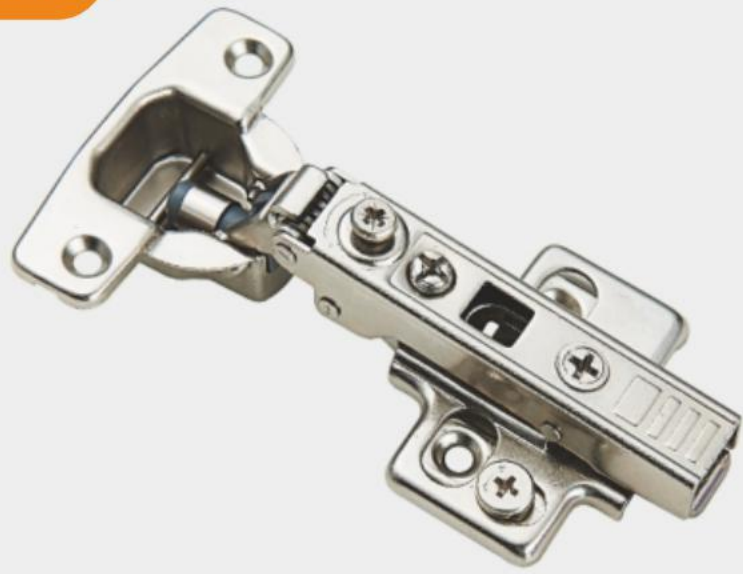
φ35mm铰杯种类 (Hing cup types)



φ35mm铰杯可配螺丝种类 (Options of screws and dowels)

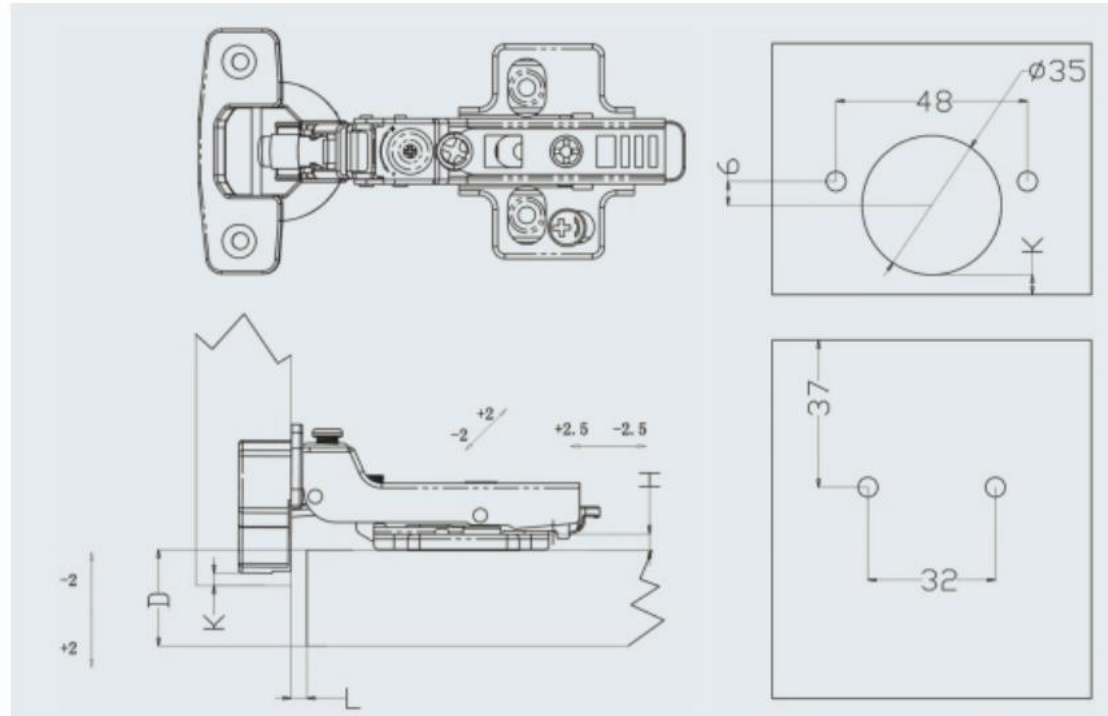


1241A



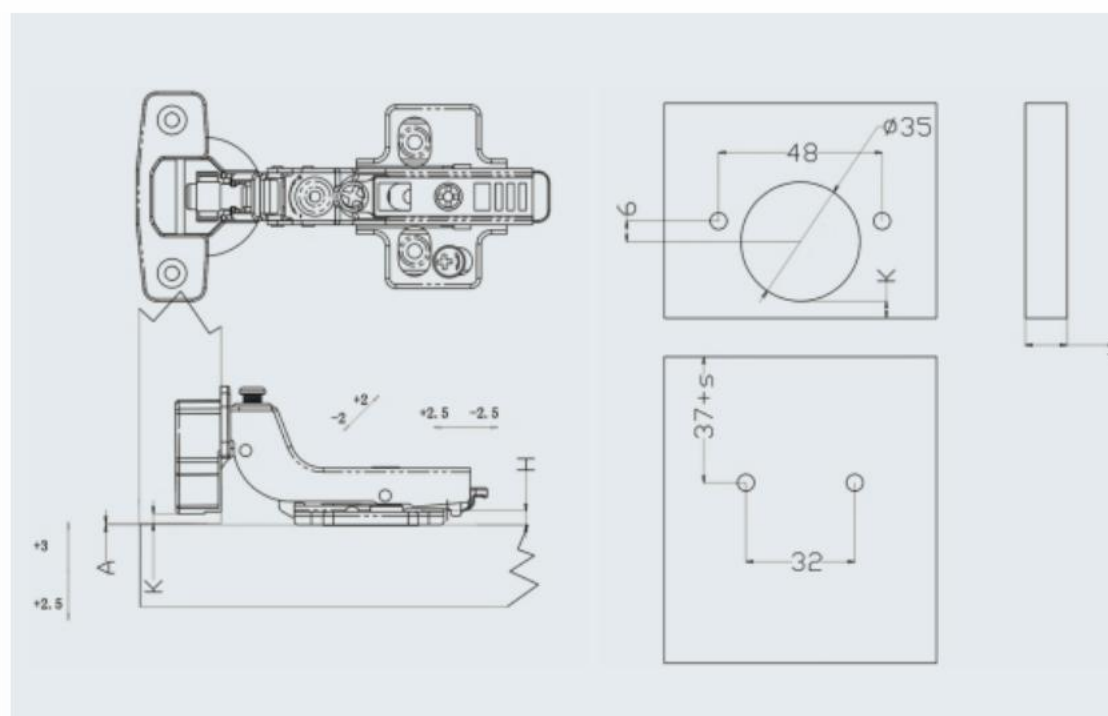
D	K	3	4	5	6
H					
0		16	17	18	19

1242A



D	K	3	4	5	6
H					
0		6	7	8	9

1243A



D	K	3	4	5	6
H					
0		2	1	0	-1